

0CNP4-M30200EN

# Contents

Fig. No.    Fig. Name

## ENGINE RELATE SECTION

1. ENGIN MOUNTING
2. ENGIN RELATED

## CHASSIS & CRAWLER SECTION

3. CHASSIS

## SNOW REMOVING SECTION

4. SNOW REMOVING FRAME
5. CHUTE
6. AUGER GEAR CASE
7. BLOWER
8. AUGER

## BODY SECTION

9. COVERS
10. HYDRAULIC PIPING
11. POWER TRANSMISSION(1)
12. POWER TRANSMISSION(2)
13. PANEL & HANDLE
14. CONTROL LEVER(1)
15. CONTROL LEVER(2)

## ELECTRICAL PARTS SECTION

16. ELECTRICAL PARTS(1)

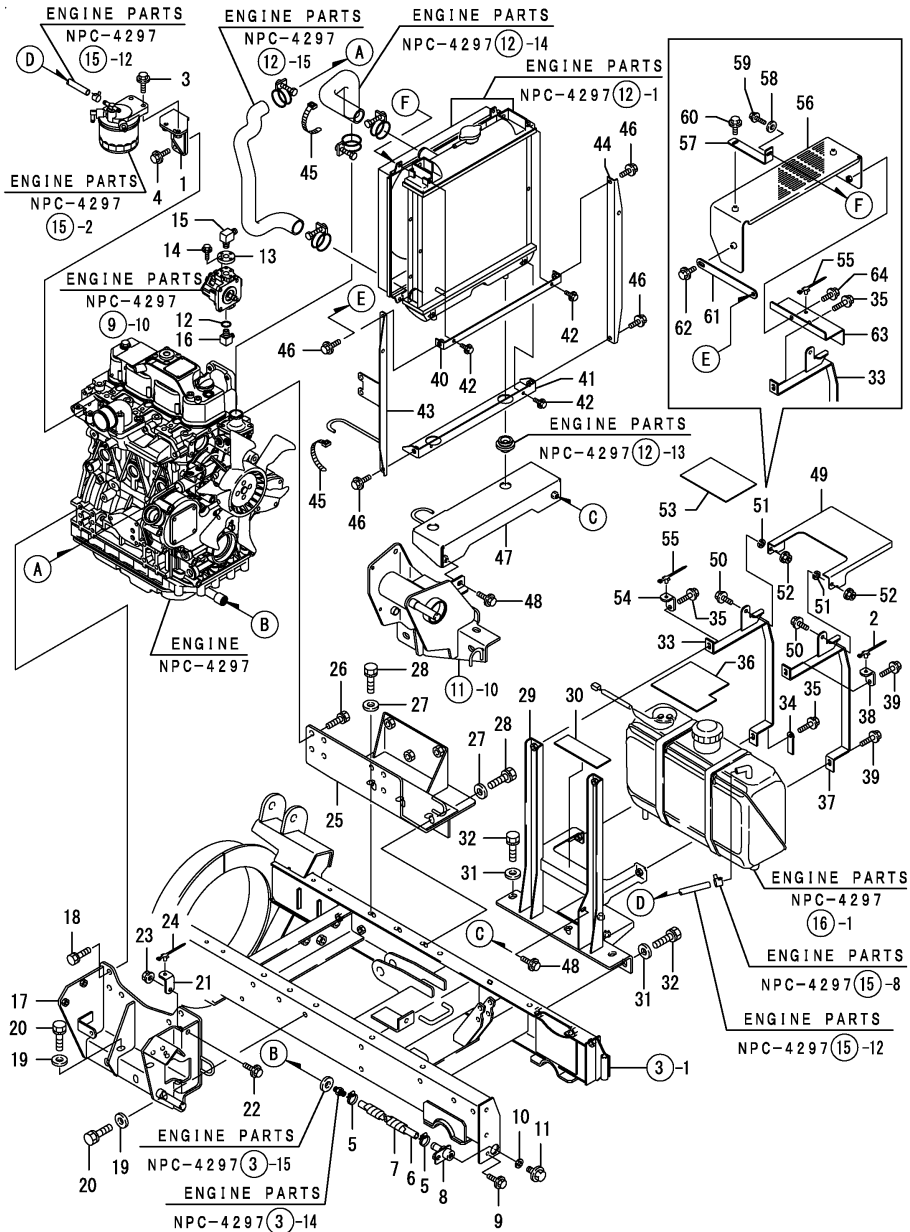
Fig. No.    Fig. Name

17. ELECTRICAL PARTS(2)

## LABELS & ACCESSORIES SECTION

18. LABELS & ACCESSORIES
19. LABELS(SAFETY)

# Fig.1. ENGINE MOUNTING



Remarks  
 (1)PARTS OF DOMESTIC SPECIFICATION  
 (2)PARTS OF OVERSEAS SPECIFICATION

(A)=YSR2730

(B)=

(C)=

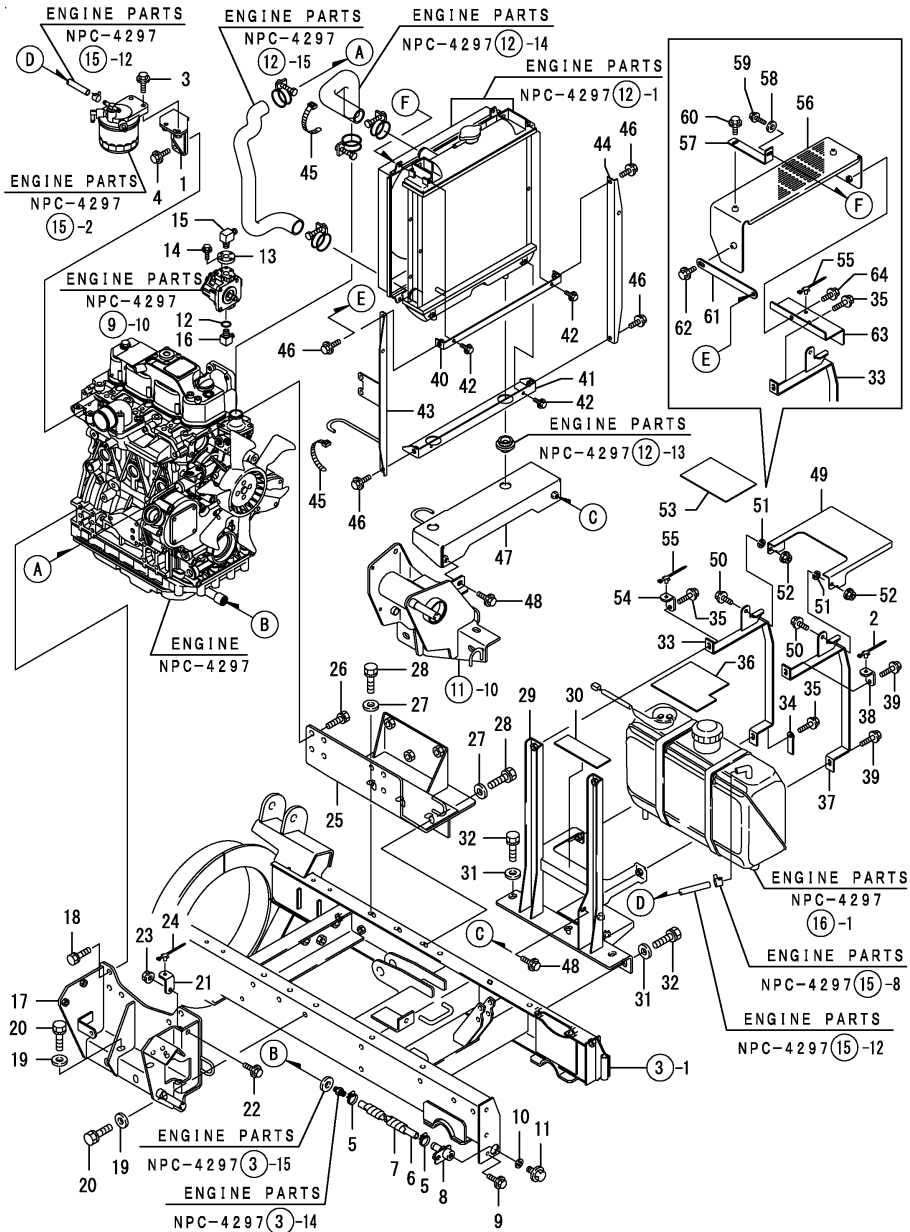
(D)=

(E)=

(F)=

No.	Lev.	Parts No.	Description	Q'ty						I	R
				(A)	(B)	(C)	(D)	(E)	(F)		
1	1	1N3740-41000	BRACKET COMP.,FILTER	1							
2	1	1N1600-81590	CLIP 1-19P7,CABLE	1							
3	1	26106-080302	BOLT, M8X 30 PLATED								
4	1	26106-080162	BOLT, M8X 16 PLATED	2							
5	1	1N1600-77310	BAND 19,UNIVERSAL	2							
6	1	1N1600-84470	HOSE 15X600	1							
7	1	1N1600-84430	CORRUGATE 19X540	1							
8	1	1N3760-27000	JOINT, DRAIN	1							
9	1	26106-080202	BOLT, M8X 20 PLATED	1							
10	1	1N1600-79590	PACK'G 12X22X2,RD.CU	1							
11	1	26136-120162	BOLT, M12X 16 PLATED	1							
12	1	24311-000200	O-RING, 1AP20.0	1							
13	1	1N1886-79020	FLANGE,HYDRAULIC	1							
14	1	26106-060252	BOLT, M6X 25 PLATED	4							
15	1	1N3745-19020	ELBOW PT3/8XPF1/2	1							
16	1	1N1675-19010	ELBOW 3/8X1/4 W/SEAT	1							
17	1	1N3740-21001	BASE L COMP.,ENGINE	1							
18	1	26013-120252	BOLT, M12X 25	5							
19	1	22137-120000	WASHER, 12	6							
20	1	26013-120302	BOLT, M12X 30	6							
21	1	1N3760-39080	HOLDER,CABLE	2							1
22	1	26106-080202	BOLT, M8X 20 PLATED	2							
23	1	26367-080002	NUT, M8	2							
24	1	1N1600-81590	CLIP 1-19P7,CABLE	1							
25	1	1N3740-22001	BASE R COMP.,ENGINE	1							
26	1	26013-120252	BOLT, M12X 25	8							
27	1	22137-120000	WASHER, 12	6							
28	1	26013-120302	BOLT, M12X 30	6							
29	1	1N3760-28000	BASE COMPL.,TANK	1							
30	1	1N3240-29060	RUBBER,TANK UNDER	1							
31	1	22137-120000	WASHER, 12	5							
32	1	26013-120302	BOLT, M12X 30	5							
33	1	1N3760-36000	TANK BAND 34 COMP.	1							
34	1	1N1600-75140	CLAMP 10X110,CORD	1							
35	1	26106-080302	BOLT, M8X 30 PLATED	2							
36	1	1N3740-29060	RUBBER,TANK	1							
37	1	1N3760-36000	TANK BAND 34 COMP.	1							
38	1	1N3760-39080	HOLDER,CABLE	1							
39	1	26106-080302	BOLT, M8X 30 PLATED	2							
40	1	1N3490-31000	FRAME,RADIATOR UPPER	1							
41	1	1N3490-32000	FRAME,RADIATOR LOWER	1							
42	1	26106-060162	BOLT, M6X 16 PLATED	4							
43	1	1N3760-35000	FRAME L COMP.,RADI.	1							
44	1	1N3740-39020	FRAME R,RADIATOR	1							
45	1	1N1600-74330	TIE RF250,REPEAT	3							
46	1	26106-080162	BOLT, M8X 16 PLATED	4							
47	1	1N3740-33001	BASE COMP.,RADIATOR	1							
48	1	26106-080162	BOLT, M8X 16 PLATED	2							
49	1	1N1600-84730	GUIDE,TANK	1							
50	1	26106-080202	BOLT, M8X 20 PLATED	2							
51	1	22217-080000	WASHER, SPRING 8	2							

Fig.1. ENGINE MOUNTING



(A)=YSR2730

(B)=

(C)=

(D)=

(E)=

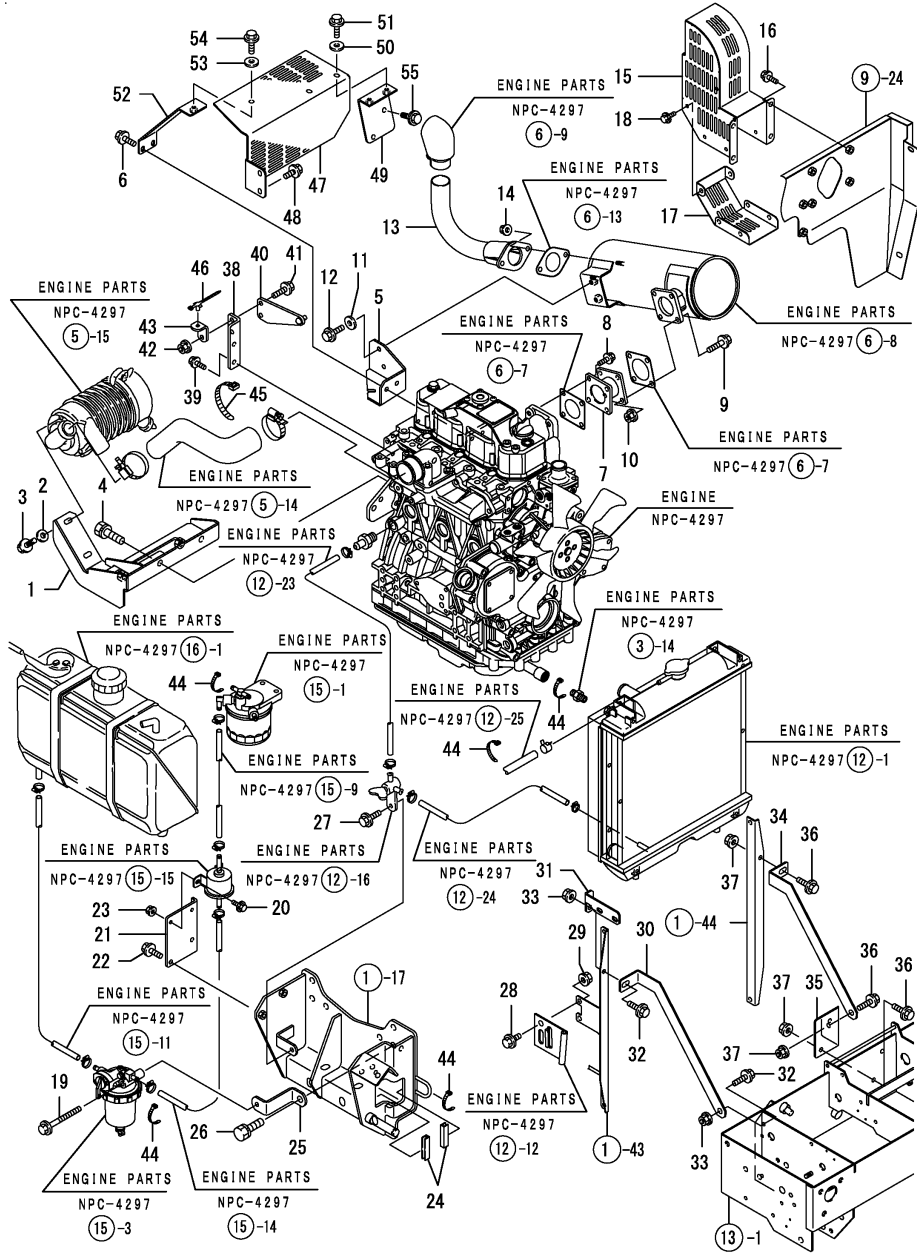
(F)=

No.	Lev.	Parts No.	Description	Qty						I	R
				(A)	(B)	(C)	(D)	(E)	(F)		
52	1	1N1600-81890	NUT,LOCK, 8	2							
53	1	1N3730-39060	TAPE, 150X100	1							
54	1	1N3760-39080	HOLDER,CABLE	1							
55	1	1N1600-81590	CLIP 1-19P7,CABLE	1							
56	1	1N3740-85000	COVER COMP.,FAN	1							2
57	1	1N3740-89020	STAY A,FAN COVER	2							2
58	1	22157-060000	WASHER, 6	2							2
59	1	26106-060252	BOLT, M6X 25 PLATED	2							2
60	1	26106-080162	BOLT, M8X 16 PLATED	2							2
61	1	1N3740-89030	STAY B,FAN COVER	1							2
62	1	26106-080162	BOLT, M8X 16 PLATED	1							2
63	1	1N3740-89040	STAY C,FAN COVER	1							2
64	1	26106-080162	BOLT, M8X 16 PLATED	1							2

Remarks

- (1)PARTS OF DOMESTIC SPECIFICATION
- (2)PARTS OF OVERSEAS SPECIFICATION

Fig.2. ENGINE RELATED



Remarks  
(1)PARTS OF OVERSEAS SPECIFICATION

(A)=YSR2730

(B)=

(C)=

(D)=

(E)=

(F)=

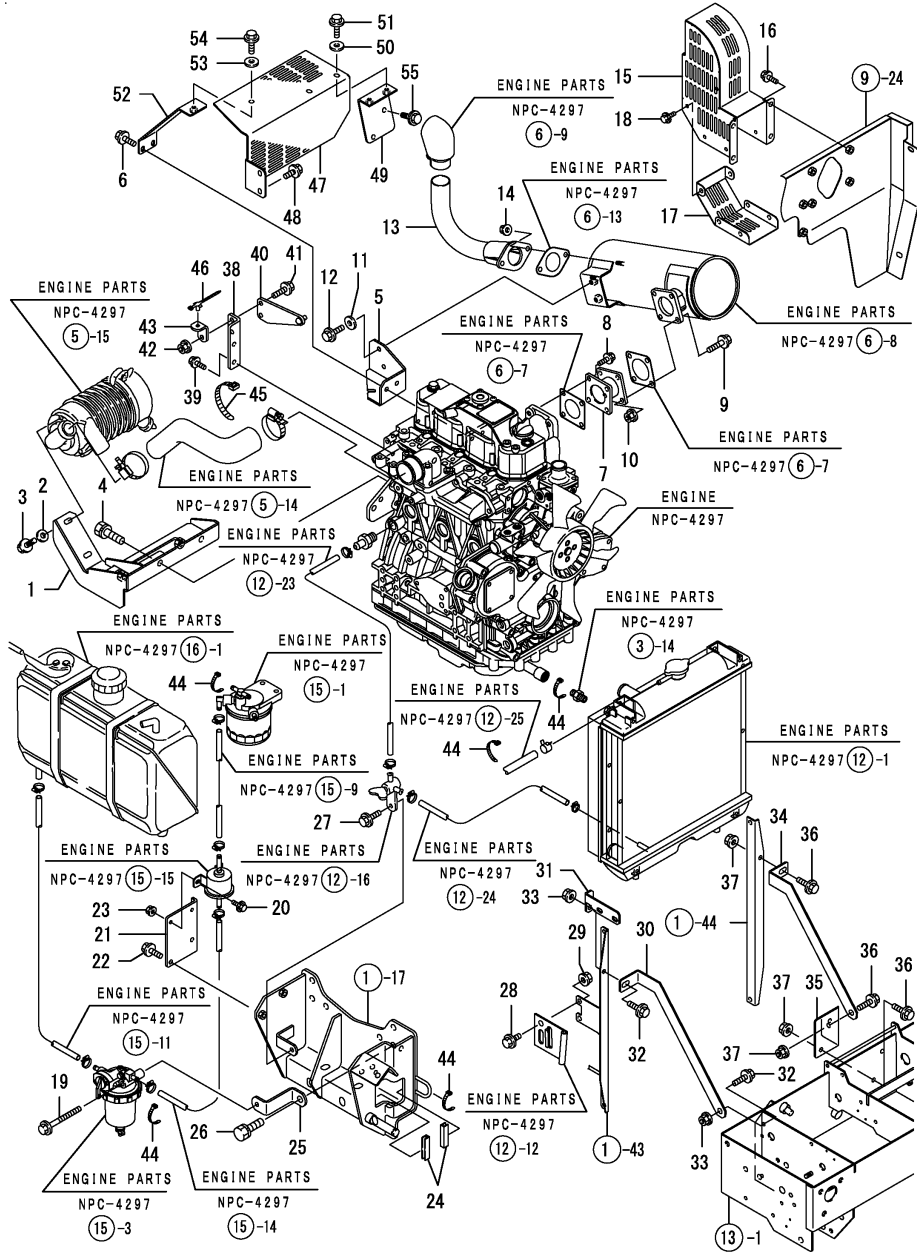
No.	Lev.	Parts No.	Description	Qty						I	R
				(A)	(B)	(C)	(D)	(E)	(F)		
1	1	1N3740-29000	BRACKET CMP,A/CLEANR	1							
2	1	22157-080000	WASHER, 8	2							
3	1	26106-080202	BOLT, M8X 20 PLATED	2							
4	1	26013-120252	BOLT, M12X 25	2							
5	1	1N3740-29070	BRACKET,MUFFLER	1							
6	1	26106-080162	BOLT, M8X 16 PLATED	2							
7	1	1N3740-25001	JOINT COMP.,MUFFLER	1							
8	1	26106-080162	BOLT, M8X 16 PLATED	4							
9	1	26106-080252	BOLT, M8X 25 PLATED	4							
10	1	26367-080002	NUT, M8	4							
11	1	22157-080000	WASHER, 8	2							
12	1	26106-080202	BOLT, M8X 20 PLATED	2							
13	1	1N3740-26001	PIPE B COMP.,EXTN.	1							
14	1	26367-080002	NUT, M8	4							
15	1	1N3760-32000	COVER COMP.,MUFFLER	1							
16	1	26106-080162	BOLT, M8X 16 PLATED	4							
17	1	1N3760-33000	COVER COMP.,MUF.UND.	1							
18	1	26106-060122	BOLT, M6X 12 PLATED	6							
19	1	26106-080702	BOLT, M8X 70 PLATED	1							
20	1	26106-060162	BOLT, M6X 16 PLATED	2							
21	1	1N3760-29040	BRACKET, PUMP	1							
22	1	26106-080162	BOLT, M8X 16 PLATED	2							
23	1	26367-060002	NUT, M6	2							
24	1	1N3740-29030	RUBBER 12.5X53	2							
25	1	1N3740-23000	STAY COMP.,SEPARATOR	1							
26	1	26013-100252	BOLT, M10X 25	1							
27	1	26106-080202	BOLT, M8X 20 PLATED	1							
28	1	26106-080122	BOLT, M8X 12 PLATED	2							
29	1	26367-080002	NUT, M8	2							
30	1	1N3740-39031	STAY L ,RADIATOR	1							
31	1	1N3761-19010	STAY,SUB TANK	1							
32	1	26106-080202	BOLT, M8X 20 PLATED	2							
33	1	26367-080002	NUT, M8	2							
34	1	1N3740-39070	STAY R ,RADIATOR	1							
35	1	1N3760-39060	BASE,STAY R	1							
36	1	26106-080202	BOLT, M8X 20 PLATED	4							
37	1	26367-080002	NUT, M8	4							
38	1	1N3760-39070	BRACKET	1							
39	1	26106-080162	BOLT, M8X 16 PLATED	2							
40	1	1N3740-42000	BRACKET COMP.,DAMPER	1							
41	1	26106-080252	BOLT, M8X 25 PLATED	2							
42	1	26367-080002	NUT, M8	2							
43	1	1N3760-39080	HOLDER,CABLE	1							
44	1	1N1600-77210	TIE RF140,REPEAT	5							
45	1	1N1600-74330	TIE RF250,REPEAT	1							
46	1	1N1600-81590	CLIP 1-19P7,CABLE	1							
47	1	1N3740-89010	PROTECTOR,HEAT	1							1
48	1	26106-080122	BOLT, M8X 12 PLATED	2							1
49	1	1N3740-83000	STAY A COMP.,PROTEC.	1							1
50	1	22157-080000	WASHER, 8	2							1
51	1	26106-080162	BOLT, M8X 16 PLATED	2							1

N:Old  $\frac{Yes}{No}$  New, Q:Old  $\frac{No}{Yes}$  New, R:Old  $\frac{Yes}{Yes}$  New, S:Old  $\frac{No}{No}$  New, W:Add, Z:Discontinued, F:Interchangeable by set, K:Q'ty Change

++ CONTINUE ++

Copyright (C) YANMAR CO., LTD. All Rights Reserved.

Fig.2. ENGINE RELATED



(A)=YSR2730

(B)=

(C)=

(D)=

(E)=

(F)=

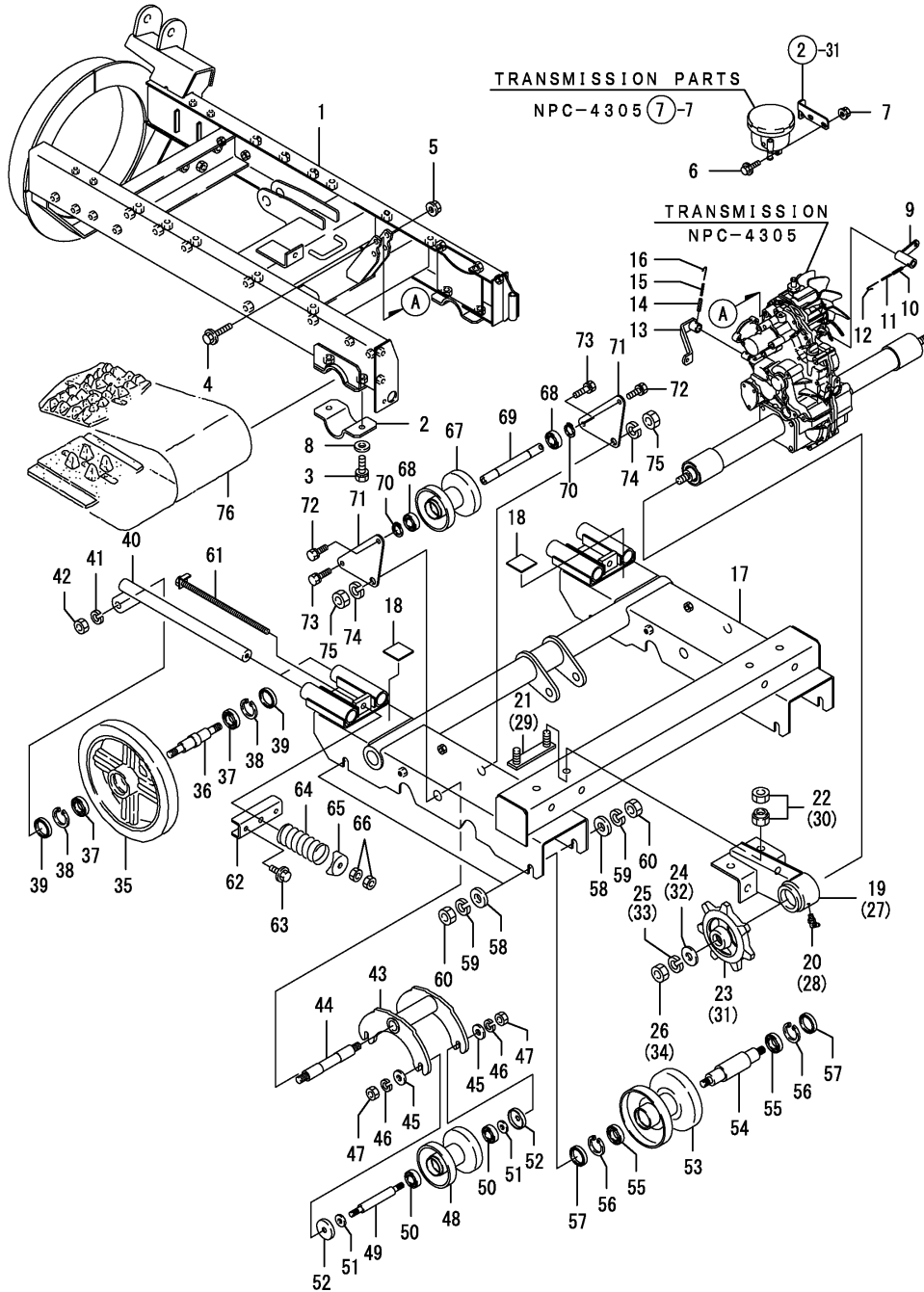
No.	Lev.	Parts No.	Description	Qty						I	R
				(A)	(B)	(C)	(D)	(E)	(F)		
52	1	1N3740-84000	STAY B COMP.,PROTEC.	1							1
53	1	22157-080000	WASHER, 8	1							1
54	1	26106-080162	BOLT, M8X 16 PLATED	1							1
55	1	26106-080122	BOLT, M8X 12 PLATED	2							1

Remarks

(1)PARTS OF OVERSEAS SPECIFICATION

N:Old  $\begin{matrix} \leftarrow \text{Yes} \\ \text{No} \end{matrix}$  New, Q:Old  $\begin{matrix} \leftarrow \text{No} \\ \text{Yes} \end{matrix}$  New, R:Old  $\begin{matrix} \leftarrow \text{Yes} \\ \text{Yes} \end{matrix}$  New, S:Old  $\begin{matrix} \leftarrow \text{No} \\ \text{No} \end{matrix}$  New, W:Add, Z:Discontinued, F:Interchangeable by set, K:Qty Change

Fig.3. CHASSIS



(A)=YSR2730

(B)=

(C)=

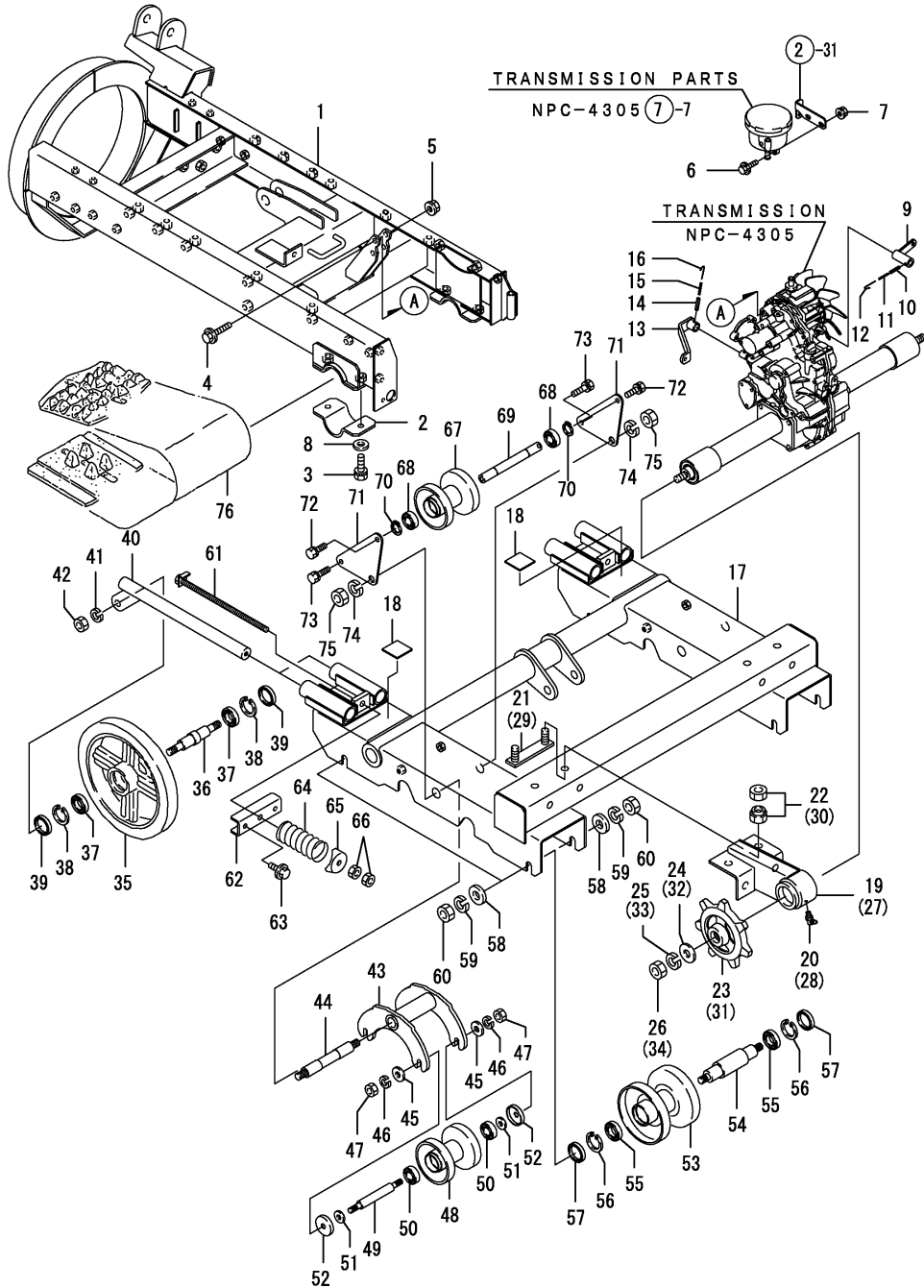
(D)=

(E)=

(F)=

No.	Lev.	Parts No.	Description	Qty						I	R
				(A)	(B)	(C)	(D)	(E)	(F)		
1	1	1N3764-11000	FRAME COMPL.,BODY	1							
2	1	1N3074-19030	HOLDER,AXLE	2							
3	1	26013-120302	BOLT, M12X 30	4							
4	1	26136-100502	BOLT, M10X 50 PLATED	2							
5	1	26377-100002	NUT, M10	2							
6	1	26106-080202	BOLT, M8X 20 PLATED	2							
7	1	26367-080002	NUT, M8	2							
8	1	22137-120000	WASHER, 12	4							
9	1	1N3767-53000	ARM COMPL.,CHANGE	1							
10	1	22351-050025	PIN, SPRING 5.0X25	1							
11	1	22351-030025	PIN, SPRING 3.0X25	1							
12	1	1N3247-59130	WIRE, 1.2X 100	1							
13	1	1N3227-54000	ARM COMP.,SUB-CHANGE	1							
14	1	22351-060025	PIN, SPRING 6.0X25	1							
15	1	22351-035025	PIN, SPRING 3.5X25	1							
16	1	1N3247-59130	WIRE, 1.2X 100	1							
17	1	1N3242-11001	FRAME COMP.,CRAWLER	1							
18	1	1N3242-19050	RUBBER 50X50X3.0	2							
19	1	1N3742-12000	SUPPORT L CMP.,AXLE	1							
20	1	1N1600-83250	NIPPLE B-M6X1,GRS.	1							
21	1	1N3242-15000	SET BOLT ASSY	2							
22	1	1N1600-78940	NUT M16,HARD LOCK	4							
23	1	1N3742-69010	SPROCKET,DRIVE	1							
24	1	1N1600-84330	WASHER 16X40X4.5,RD.	1							
25	1	22217-160000	WASHER, SPRING 16	1							
26	1	26717-160002	NUT, M16	1							
27	1	1N3742-13000	SUPPORT R CMP.,AXLE	1							
28	1	1N1600-83250	NIPPLE B-M6X1,GRS.	1							
29	1	1N3242-15000	SET BOLT ASSY	2							
30	1	1N1600-78940	NUT M16,HARD LOCK	4							
31	1	1N3742-69010	SPROCKET,DRIVE	1							
32	1	1N1600-84330	WASHER 16X40X4.5,RD.	1							
33	1	22217-160000	WASHER, SPRING 16	1							
34	1	26717-160002	NUT, M16	1							
35	1	1N3242-69010	WHEEL,FRONT	2							
36	1	1N3102-49020	SHAFT B,WHEEL	2							
37	1	24101-060054	BEARING, BALL 6005	4							
38	1	22252-000470	RING, 47	4							
39	1	24421-254708	SEAL, OIL TC254708	4							
40	1	1N3742-14000	BEAM COMP.,TENSION	4							
41	1	22217-160000	WASHER, SPRING 16	4							
42	1	26717-160002	NUT, M16	4							
43	1	1N3242-14001	FRAME CMP.,EQUALIZER	2							
44	1	1N3242-49011	SHAFT,EQUALIZER	2							
45	1	1N1600-77080	WASHER 12X30X4.5,CIR	8							
46	1	22217-120000	WASHER, SPRING 12	8							
47	1	26717-120002	NUT, M12	8							
48	1	1N3242-61000	WHEEL CMP.,EQUALIZER	4							
49	1	1N3242-49020	SHAFT,EQUALZR.WHEEL	4							
50	1	24104-060044	BEARING, BALL 6004UU	8							
51	1	1N1600-77080	WASHER 12X30X4.5,CIR	8							

Fig.3. CHASSIS



(A)=YSR2730

(B)=

(C)=

(D)=

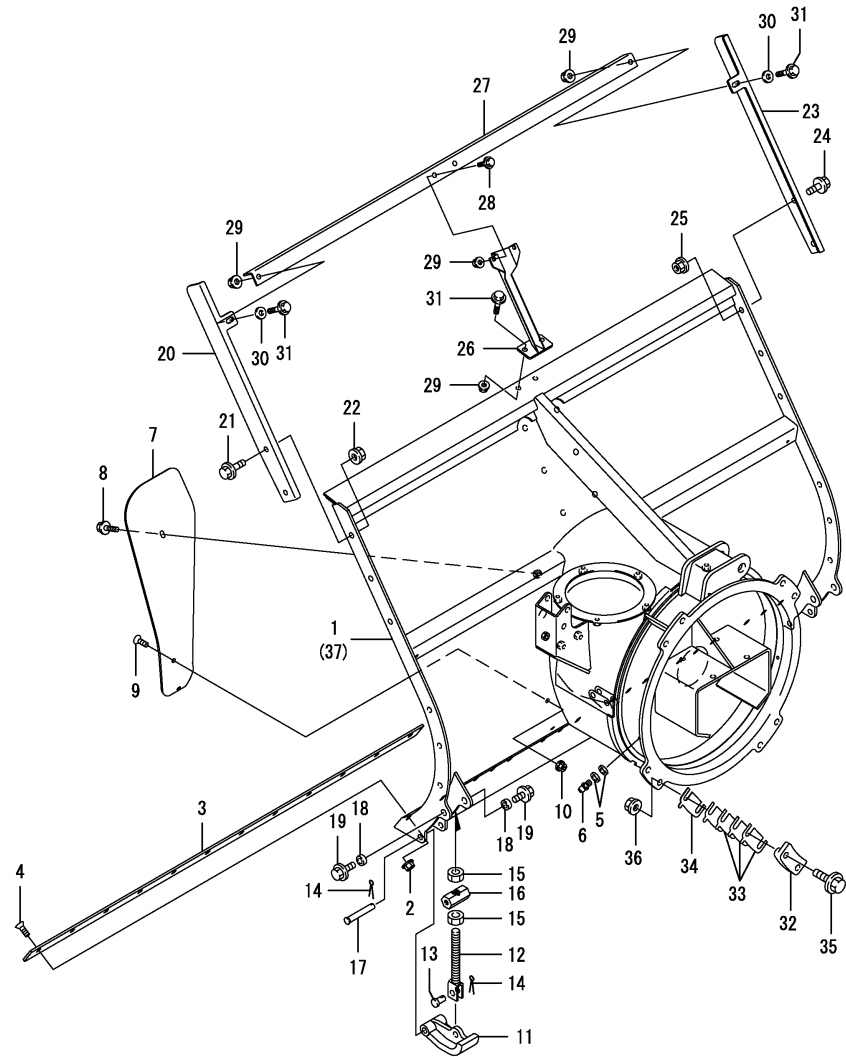
(E)=

(F)=

No.	Lev.	Parts No.	Description	Q'ty						I	R
				(A)	(B)	(C)	(D)	(E)	(F)		
52	1	1N1600-78790	COVER,TRACK ROLLER	8							
53	1	1N3102-61000	WHEEL COMP.,CRAWLER	4							
54	1	1N3242-49030	SHAFT A,WHEEL	4							
55	1	24101-060054	BEARING, BALL 6005	8							
56	1	22252-000470	RING, 47	8							
57	1	24421-254708	SEAL, OIL TC254708	8							
58	1	22137-160000	WASHER, 16	8							
59	1	22217-160000	WASHER, SPRING 16	8							
60	1	26717-160002	NUT, M16	8							
61	1	1N3102-15001	BOLT COMP.,TENSION	2							
62	1	1N3742-19010	SUPPORT,TENSION BEAM	2							
63	1	26136-100202	BOLT, M10X 20 PLATED	4							
64	1	1N3242-39010	COIL SPRING BJ50X100	2							
65	1	1N3742-19020	HOLDER,SPRING	2							
66	1	26717-120002	NUT, M12	4							
67	1	1N3242-61000	WHEEL CMP.,EQUALIZER	2							
68	1	24104-060044	BEARING, BALL 6004UU	4							
69	1	1N3762-49010	SHAFT,CRAWLR.IDLER	2							
70	1	22242-000200	RING, 20	4							
71	1	1N3762-19010	SUPPORT,CRAWLR.IDLER	4							
72	1	1N1600-78870	BOLT M10X20,SM.SPR.	4							
73	1	1N1600-78880	BOLT M10X25,SM.SPR'G	4							
74	1	22217-160000	WASHER, SPRING 16	4							
75	1	26717-160002	NUT, M16	4							
76	1	1N1682-39010	CRAWLER 300X72X40,RB	2							



Fig.4. SNOW REMOVING FRAME



(A)=YSR2730

(B)=

(C)=

(D)=

(E)=

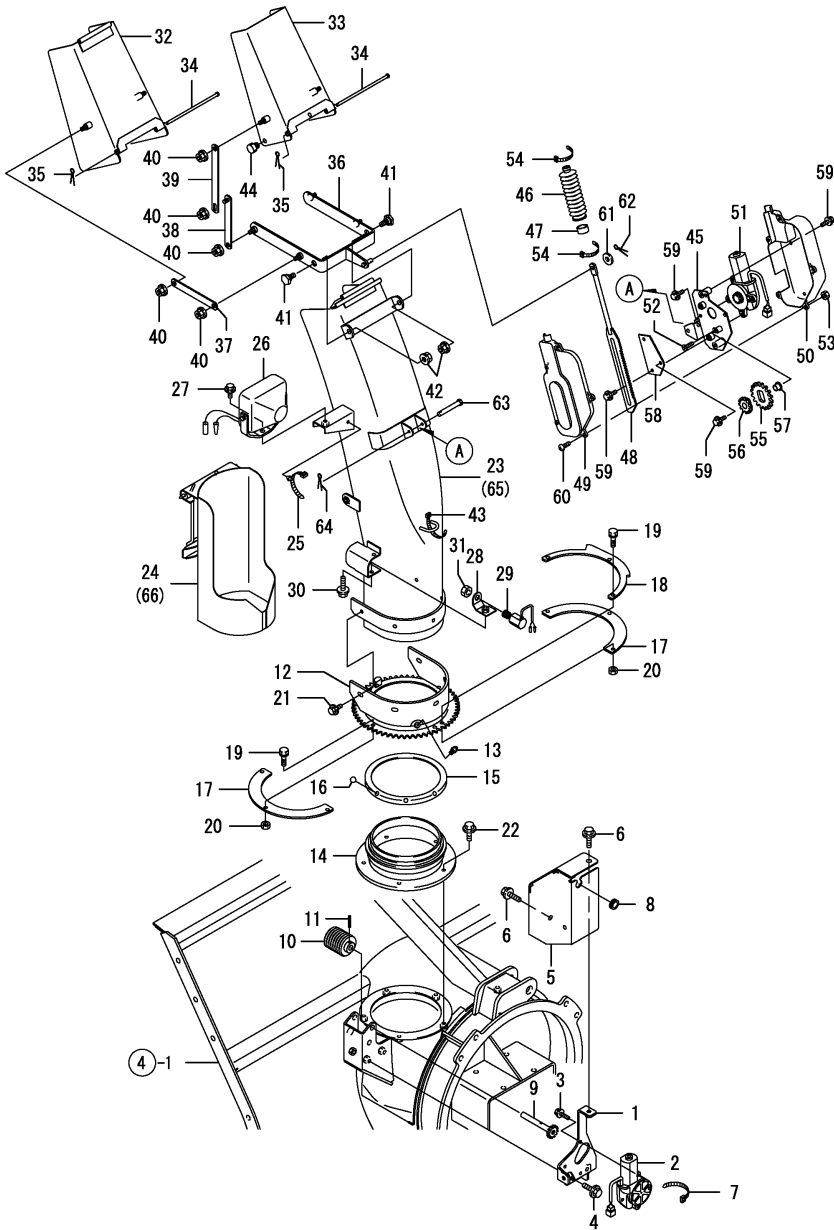
(F)=

No.	Lev.	Parts No.	Description	Qty						I	R
				(A)	(B)	(C)	(D)	(E)	(F)		
1	1	7N3763-11000	PL AS,SNW.REMV.FRAME	1							1
2	1	26367-080002	NUT, M8	12							
3	1	1N3743-19070	EDGE	1							
4	1	1N1600-84150	BOLT 8X 20	12							
5	1	22137-060000	WASHER, 6	6							
6	1	1N1600-75150	NIPPLE A-MT6X1,GRS.	3							
7	1	1N1673-19010	PLATE,SHIELDING	1							
8	1	26106-080202	BOLT, M8X 20 PLATED	1							
9	1	1N1600-82930	BOLT 8X16,HEX.SCKT.F	2							
10	1	26367-080002	NUT, M8	2							
11	1	1N1600-75830	SLEDGE	2							
12	1	1N1683-13000	SUPPORT,SLEDGE	2							
13	1	1N1689-14010	PIN 12X22	2							
14	1	22417-250200	PIN, COTTER 2.5X20	4							
15	1	26717-160002	NUT, M16	4							
16	1	1N3743-19050	POST	2							
17	1	1N1689-14020	PIN 12X70	2							
18	1	1N3743-19060	COLLAR,POST	4							
19	1	26136-100202	BOLT, M10X 20 PLATED	4							
20	1	1N3743-19010	PLATE L,SNOW CUTTING	1							
21	1	26136-100252	BOLT, M10X 25 PLATED	2							
22	1	26377-100002	NUT, M10	2							
23	1	1N3743-19020	PLATE R,SNOW CUTTING	1							
24	1	26136-100252	BOLT, M10X 25 PLATED	2							
25	1	26377-100002	NUT, M10	2							
26	1	1N3743-14000	SUPPORT COMP.,CENTER	1							
27	1	1N3743-19040	BAR,SNOW CUTTING	1							
28	1	26106-080162	BOLT, M8X 16 PLATED	2							
29	1	26367-080002	NUT, M8	6							
30	1	22157-080000	WASHER, 8	2							
31	1	26106-080202	BOLT, M8X 20 PLATED	4							
32	1	1N3243-14000	ROLLING GUIDE	4							
33	1	1N3243-19020	SIM	16							
34	1	1N3243-19030	SHIM	4							
35	1	26136-120452	BOLT, M12X 45 PLATED	8							
36	1	26377-120002	NUT, M12	8							
37	1	1N1600-84640	PL AS,SNW.REMV.FRAME	1							2

Remarks

- (1)PARTS OF DOMESTIC SPECIFICATION
- (2)PARTS OF OVERSEAS SPECIFICATION

Fig.5. CHUTE



(A)=YSR2730

(B)=

(C)=

(D)=

(E)=

(F)=

No.	Lev.	Parts No.	Description	Qty						I	R
				(A)	(B)	(C)	(D)	(E)	(F)		
1	1	1N3733-13000	BRACKET COMP.,MOTOR	1							
2	1	1N3738-11000	MOTOR JC578VA	1							
3	1	26106-060202	BOLT, M6X 20 PLATED	3							
4	1	26106-080202	BOLT, M8X 20 PLATED	2							
5	1	1N3743-82000	COVER COMP.,MOTOR	1							
6	1	26106-080162	BOLT, M8X 16 PLATED	3							
7	1	1N1600-74330	TIE RF250,REPEAT	1							
8	1	1N1600-84740	GROMMET NG-79-M	1							
9	1	1N3733-41000	SHAFT COMP.,WORM	1							
10	1	1N1610-70131	WORM	1							
11	1	22351-045025	PIN, SPRING 4.5X25	1							
12	1	1N3153-32000	BASE COMP.,SHOOTER	1							
13	1	1N1600-75150	NIPPLE A-MT6X1,GRS.	1							
14	1	1N1600-83830	BASE, CONTROL	1							
15	1	1N3163-39051	RETAINER,BALL	1							
16	1	1N1600-81480	BALL 8.5,STEEL	24							
17	1	1N1673-39010	CLAMP,CHUTE	2							
18	1	1N3733-39010	STOPPER,CHUTE	1							
19	1	26116-080252	BOLT, M8X 25 PLATED	6							
20	1	26717-080002	NUT, M8	6							
21	1	26106-080122	BOLT, M8X 12 PLATED	5							
22	1	26106-080202	BOLT, M8X 20 PLATED	5							
23	1	7N3733-31000	PL ASSY.,CHUTE 900	1							1
24	1	7N1600-83860	COVER CMP (PL	1							1
25	1	1N1600-81440	CLIP C-4397,CABLE	1							
26	1	1N1600-83990	LAMP 18W,WORKING	1							
27	1	26106-080122	BOLT, M8X 12 PLATED	1							
28	1	1N3068-12000	BRACKET CMP,CHUTE SW	1							
29	1	1N1808-31000	SWITCH,GUARD	1							
30	1	26106-080122	BOLT, M8X 12 PLATED	1							
31	1	26737-120002	NUT, M12	1							
32	1	1N3733-33000	DEFLECTOR A COMPL.	1							
33	1	1N3733-34000	DEFLECTOR B COMPL.	1							
34	1	1N1600-84350	PIN 6X165,PRESSED	2							
35	1	22417-200120	COTTER PIN 2.0X12	2							
36	1	1N3763-35000	ARM COMP.,CHUTE	1							
37	1	1N3733-39020	ARM 129,LINK	2							
38	1	1N3733-36000	LINK A COMP.,CHUTE	2							
39	1	1N3733-39030	LINK B,CHUTE	2							
40	1	26367-080002	NUT, M8	10							
41	1	1N3733-39040	BOLT,STEPED	2							
42	1	26367-080002	NUT, M8	2							
43	1	1N1600-77210	TIE RF140,REPEAT	1							
44	1	1N1600-84400	PLUG 18,HOLE	2							
45	1	1N3763-37000	BRACKET A COMP.,MOT.	1							
46	1	1N3163-39040	BOOT,SHOOTER	1							
47	1	1N3163-39080	TUBE,SPACER	1							
48	1	1N3163-42000	RACK COMP.,SHOOTER	1							
49	1	1N3163-89050	COVER L,MOTOR	1							
50	1	1N3163-89080	COVER R,MOTOR	1							
51	1	1N3738-11000	MOTOR JC578VA	1							

Remarks

(1)PARTS OF DOMESTIC SPECIFICATION

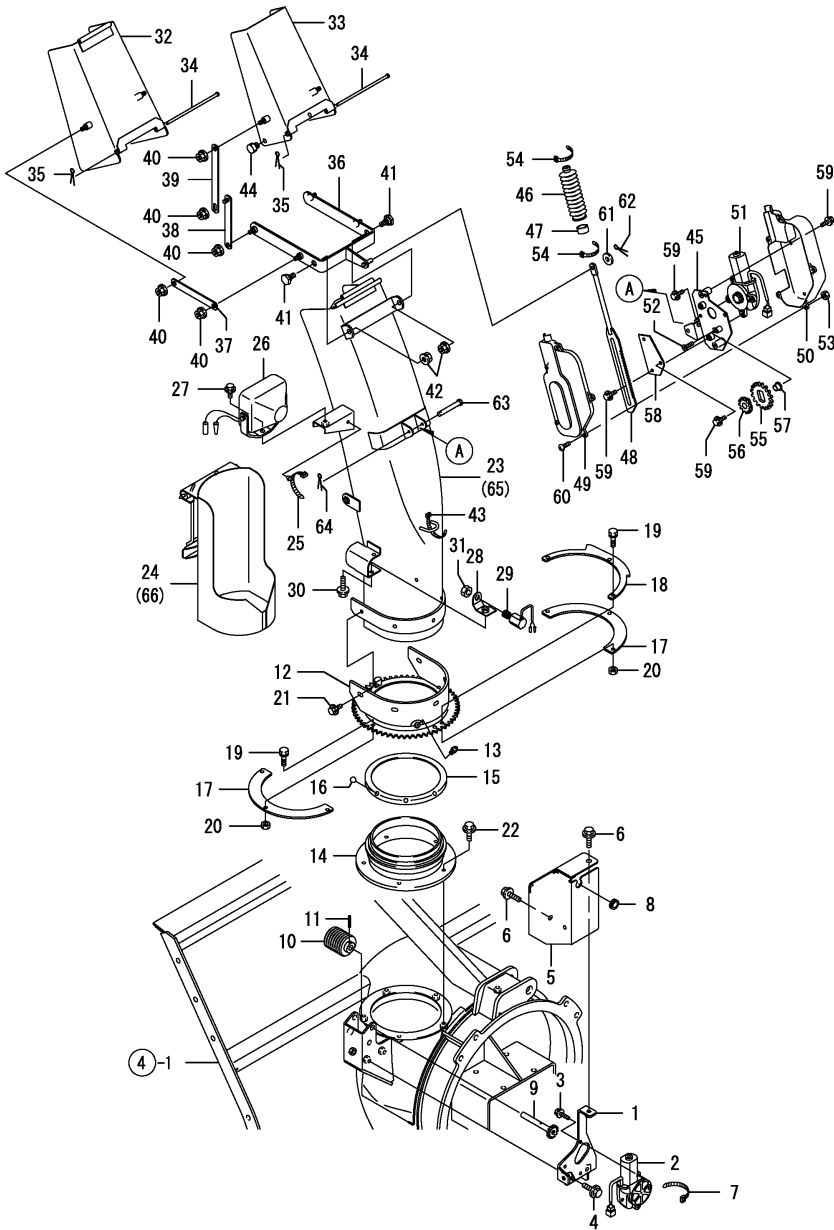
(2)PARTS OF OVERSEAS SPECIFICATION

N:Old  $\frac{Yes}{No}$  New, Q:Old  $\frac{No}{Yes}$  New, R:Old  $\frac{Yes}{Yes}$  New, S:Old  $\frac{No}{No}$  New, W:Add, Z:Discontinued, F:Interchangeable by set, K:Q'ty Change

++ CONTINUE ++

Copyright (C) YANMAR CO., LTD. All Rights Reserved.

Fig.5. CHUTE



(A)=YSR2730

(B)=

(C)=

(D)=

(E)=

(F)=

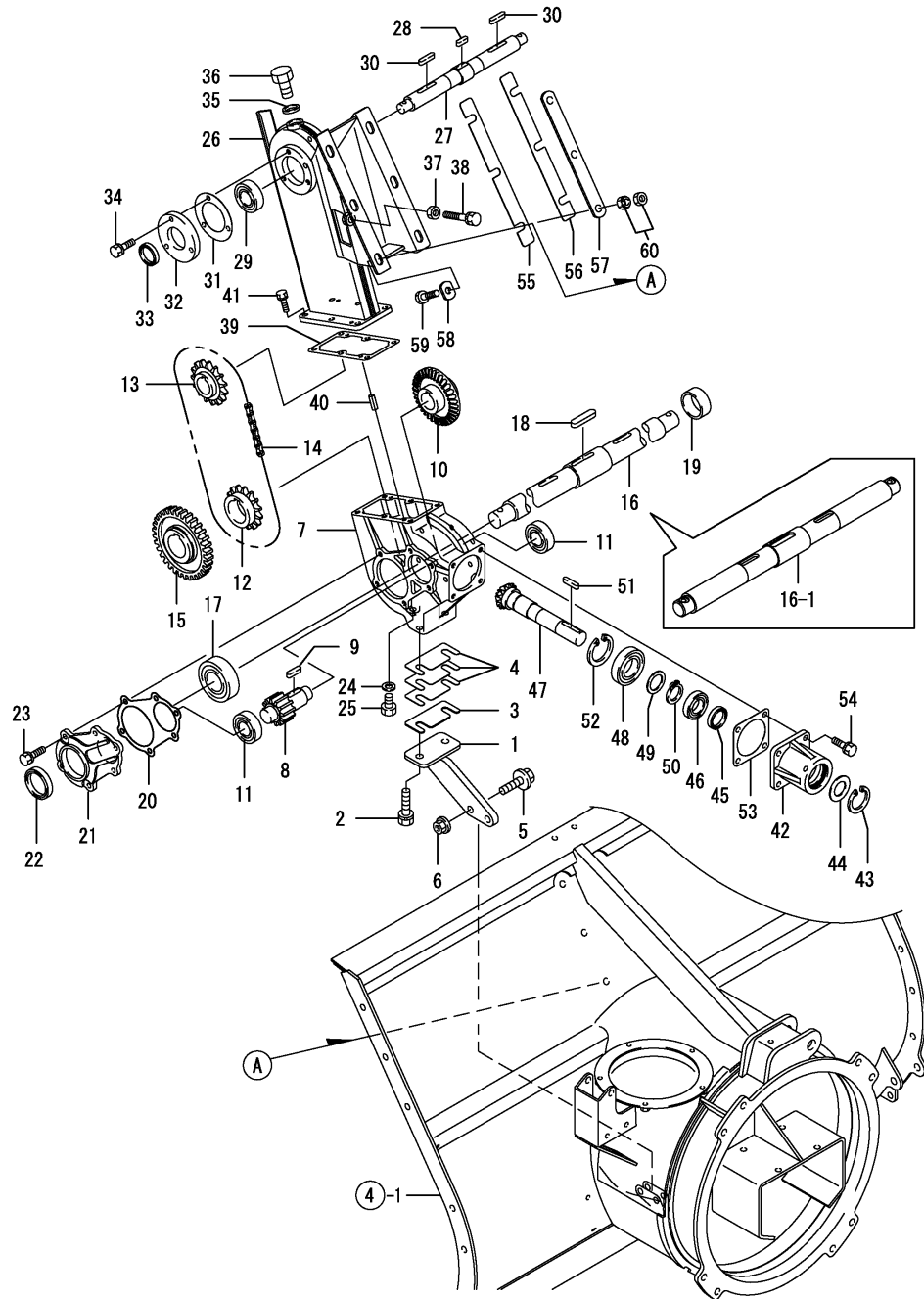
No.	Lev.	Parts No.	Description	Q'ty						I	R
				(A)	(B)	(C)	(D)	(E)	(F)		
52	1	1N1600-81490	SCREW M6X 16,CRFHMC.	1							
53	1	1N1600-81460	U-NUT M 5	5							
54	1	1N1600-81430	BAND CV-140SW,CABLE	2							
55	1	1N3763-39020	GEAR M2X32	1							
56	1	1N3763-39030	GEAR M2X18	1							
57	1	1N1600-79290	BUSH 80F-1210,FLANGE	1							
58	1	1N3763-39040	PLATE,RETAINER	1							
59	1	26106-060162	BOLT, M6X 16 PLATED	8							
60	1	1N1600-81450	SCREW M 5X 12	5							
61	1	22137-080000	WASHER, 8	1							
62	1	22417-250160	PIN, COTTER 2.5X16	1							
63	1	1N1600-81470	PIN 8X55,ROUND HEAD	1							
64	1	22417-250160	PIN, COTTER 2.5X16	1							
65	1	1N1600-84650	PL ASSY.,CHUTE 900	1							2
66	1	1N1600-84670	COVER CMP (PL	1							2

Remarks

- (1)PARTS OF DOMESTIC SPECIFICATION
- (2)PARTS OF OVERSEAS SPECIFICATION

N:Old  $\begin{matrix} \leftarrow \text{Yes} \\ \text{No} \end{matrix}$  New, Q:Old  $\begin{matrix} \leftarrow \text{No} \\ \text{Yes} \end{matrix}$  New, R:Old  $\begin{matrix} \leftarrow \text{Yes} \\ \text{Yes} \end{matrix}$  New, S:Old  $\begin{matrix} \leftarrow \text{No} \\ \text{No} \end{matrix}$  New, W:Add, Z:Discontinued, F:Interchangeable by set, K:Q'ty Change

Fig.6. AUGER GEAR CASE



(A)=YSR2730

(B)=

(C)=

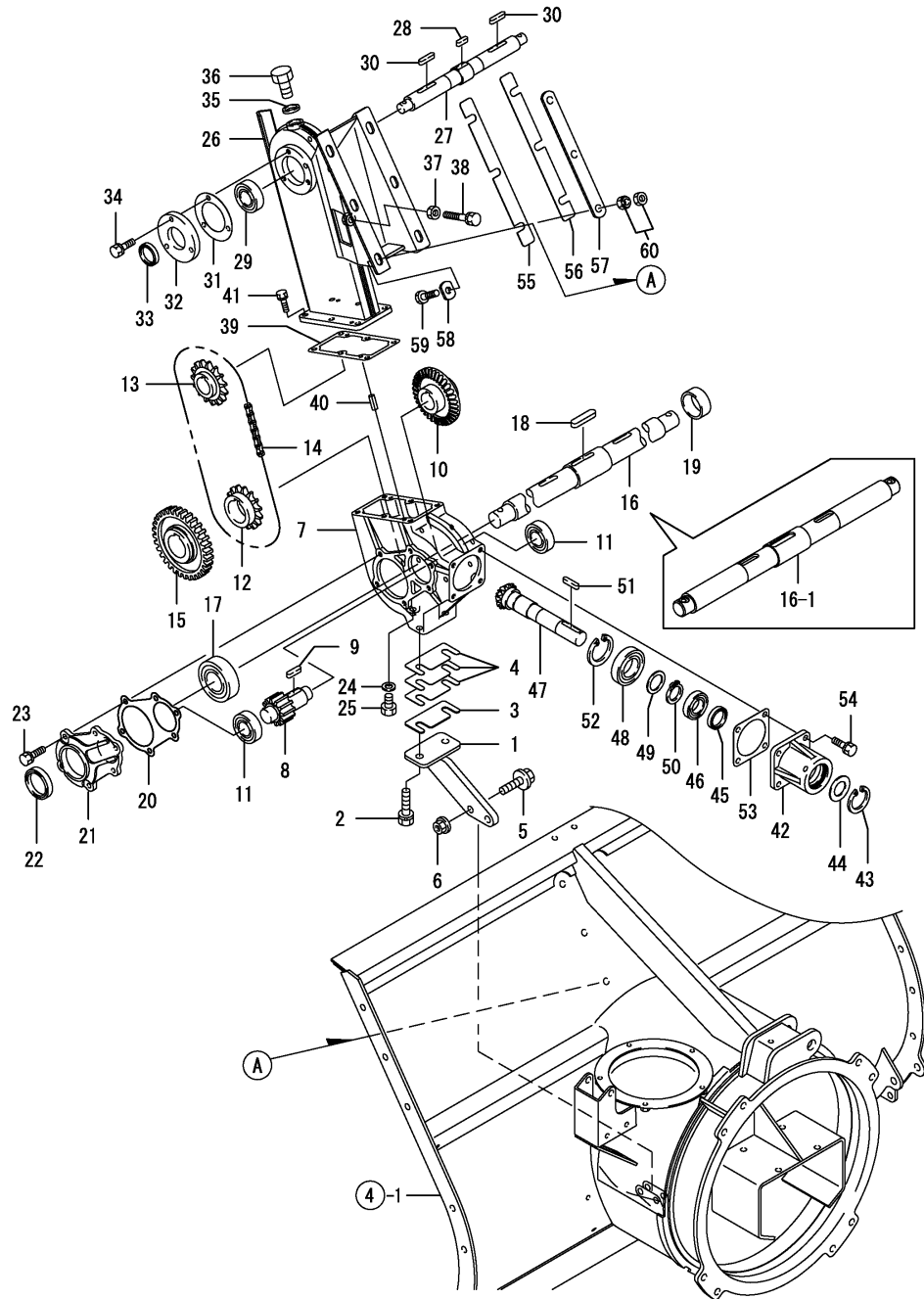
(D)=

(E)=

(F)=

No.	Lev.	Parts No.	Description	Q'ty						I	R
				(A)	(B)	(C)	(D)	(E)	(F)		
1	1	1N3743-12000	SUPPORT COMP.,CASE	1							
2	1	1N1600-78890	BOLT M10X30,SM.SPRG	2							
3	1	1N1610-70210	LINER 2.0,GEAR CASE	1							
4	1	1N1610-70220	LINER 0.6,GEAR CASE	3							
5	1	26136-100352	BOLT, M10X 35 PLATED	2							
6	1	26377-100002	NUT, M10	2							
7	1	1N1673-19110	CASE,AUGER GEAR	1							
8	1	1N1610-70100	GEAR M3.5X12,SPUR	1							
9	1	1N1600-72040	KEY 8X7X30 RR,FEATHR	1							
10	1	1N1763-29070	GEAR M3X33,BEVEL	1							
11	1	24101-062054	BEARING, BALL 6205	2							
12	1	1N1633-29070	SPROCKET 40X18,LOWER	1							
13	1	1N1633-29080	SPROCKET 40X18,UPPER	1							
14	1	1N1679-19110	CHAIN 40X78,ROLLER	1							
15	1	1N1610-70110	GEAR M3.5X34,SPUR	1							
16	1	1N1853-49010	SHAFT,AUGER	1							
16-1	1	1N3763-49010	SHAFT,AUGE	1							S
(A=F064025)											
17	1	24101-062074	BEARING, BALL 6207	2							
18	1	1N1600-72130	KEY 12X8X52 RR,FTHR.	1							
19	1	1N1633-29090	COLLAR 40X19	1							
20	1	1N1610-70030	PACKING,GR.CS.COVER	2							
21	1	1N1633-19041	COVER,AUGER GEAR CS.	2							
22	1	24421-355511	SEAL, OIL TC355511	2							
23	1	1N1600-73590	BOLT W/SP,SM.PRECORD	12							
24	1	1N1600-77650	PACKING 10X18X2,RD.	1							
25	1	26117-100162	BOLT M10X 16 PLATED	1							
26	1	1N1673-16000	CASE,CHAIN	1							
27	1	1N3243-49010	SHAFT,UPR.STG.ROTARY	1							
28	1	1N1600-71960	KEY 7X7X23 RR,FEATHR	1							
29	1	24101-062054	BEARING, BALL 6205	2							
30	1	1N1600-72000	KEY 7X7X33 SS,FEATHR	2							
31	1	1N1673-19080	PACKING,UPR.ROTOR CV	2							
32	1	1N1673-19090	COVER,UPPER ROTOR	2							
33	1	24421-254008	SEAL, OIL TC254008	2							
34	1	1N1600-73590	BOLT W/SP,SM.PRECORD	6							
35	1	1N1689-19020	PACKING,OIL CAP	1							
36	1	1N1689-19010	CAP,OIL	1							
37	1	26717-100002	NUT, M10	1							
38	1	26117-100654	BOLT, M10X 65 PLATED	1							
39	1	1N1610-70020	PACKING,AUGER GR.CS.	1							
40	1	22351-060016	PIN, SPRING 6.0X16	2							
41	1	1N1600-73590	BOLT W/SP,SM.PRECORD	6							
42	1	1N1763-19060	HOUSING,INPUT	1							
43	1	22252-000450	RING, 45	1							
44	1	1N1610-70070	PLATE,PROTECTIVE	1							
45	1	24421-254008	SEAL, OIL TC254008	1							
46	1	24101-060054	BEARING, BALL 6005	1							
47	1	1N3243-29010	GEAR M3X14,BEVEL	1							
48	1	1N1600-77730	BEARING 60/28	1							
49	1	1N1763-29050	WASHER 28X40X2,THRST	1							

Fig.6. AUGER GEAR CASE



(A)=YSR2730

(B)=

(C)=

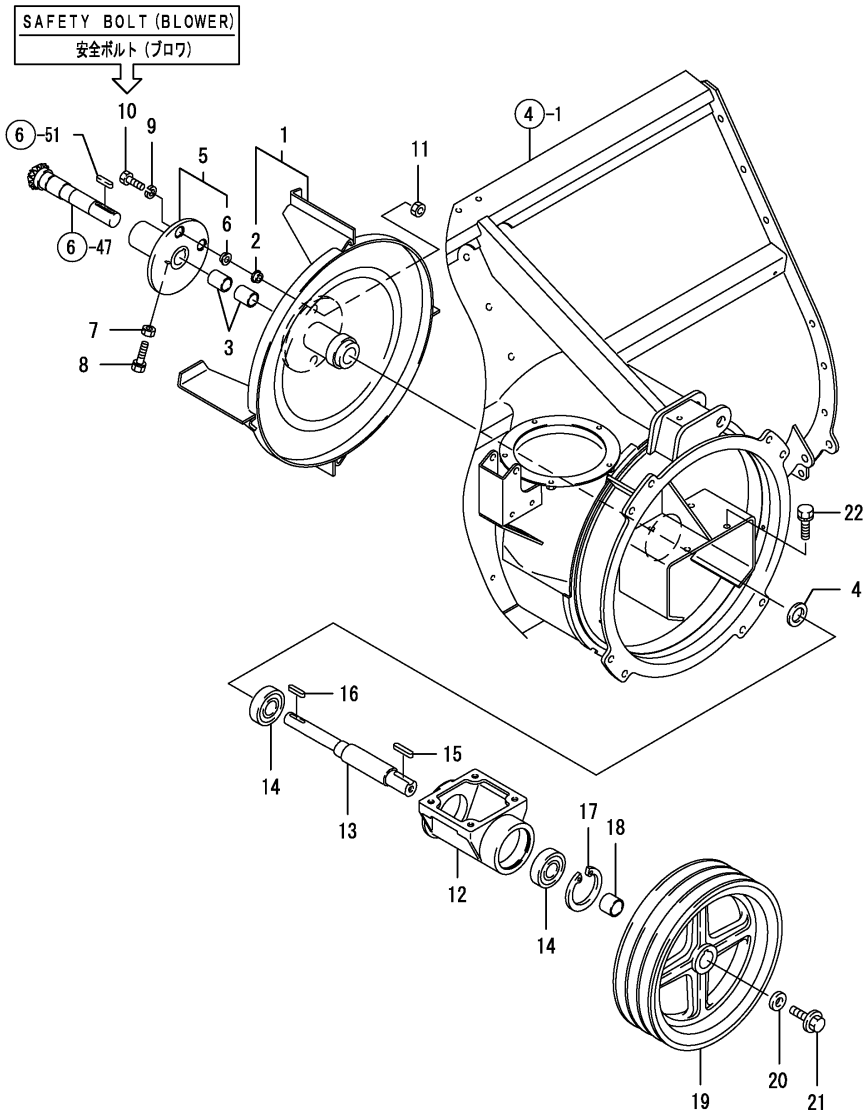
(D)=

(E)=

(F)=

No.	Lev.	Parts No.	Description	Qty						I	R
				(A)	(B)	(C)	(D)	(E)	(F)		
50	1	22242-000280	RING, 28	1							
51	1	1N1600-72000	KEY 7X7X33 SS,FEATHR	1							
52	1	22252-000520	RING, 52	1							
53	1	1N1610-70040	PACKING,INPUT HOUSG	1							
54	1	1N1600-73590	BOLT W/SP,SM.PRECORD	4							
55	1	1N3763-19010	LINER 1.0,CHN.CS.ADJ	2							
56	1	1N3763-19020	LINER 2.0,CHN.CS.ADJ	5							
57	1	1N1633-19130	WASHER,SPACER	2							
58	1	1N1863-19010	WASHER,CHAIN CASE	6							
59	1	26116-100402	BOLT, M10X 40 PLATED	6							
60	1	1N1600-78920	NUT M10,HARD LOCK	6							

Fig.7. BLOWER



(A)=YSR2730

(B)=

(C)=

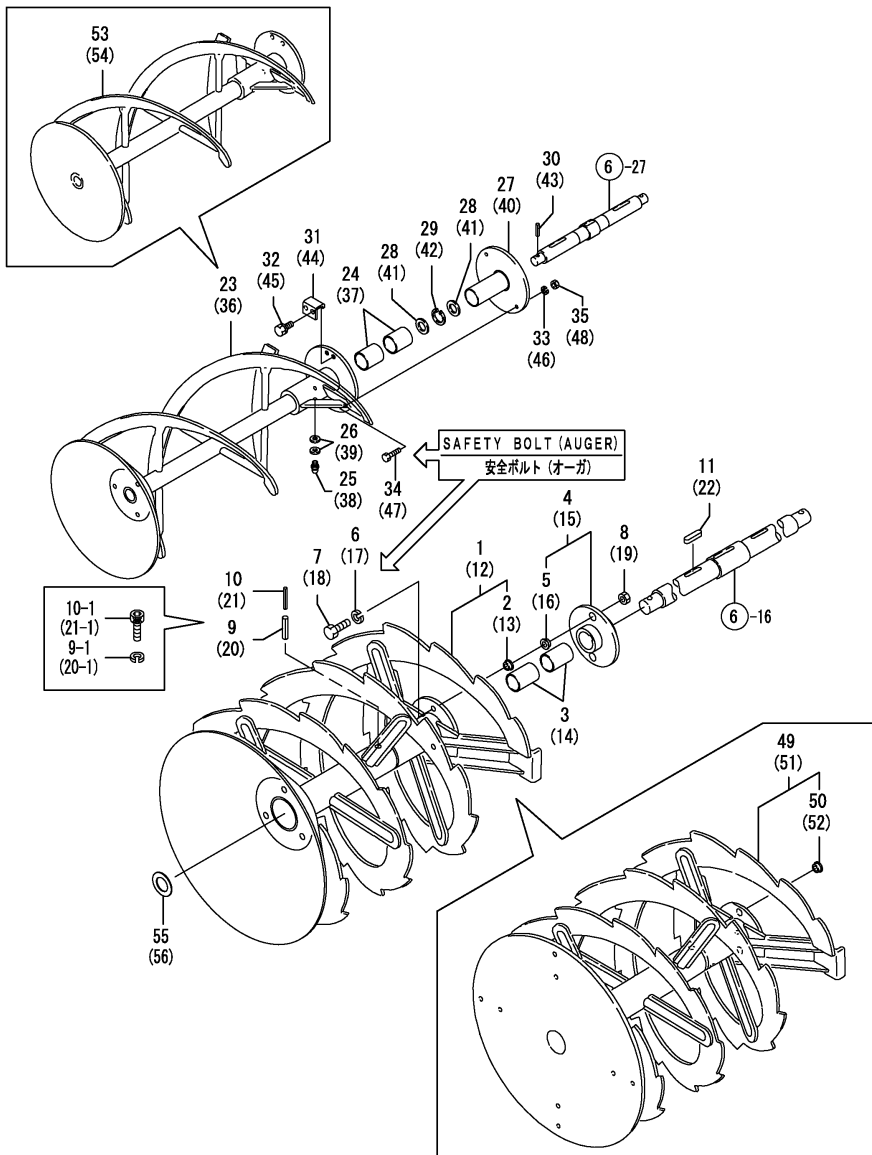
(D)=

(E)=

(F)=

No.	Lev.	Parts No.	Description	Qty						I	R
				(A)	(B)	(C)	(D)	(E)	(F)		
1	1	1N3103-61000	BLOWER COMPL.	1							
2	2	1N1633-59010	BUSH	1							
3	1	1N1600-79300	BUSH BM2530FB	2							
4	1	1N1600-78830	COLLAR 25X4.5	1							
5	1	1N3103-62000	JOINT COMP.,AUGER	1							
6	2	1N1633-59010	BUSH	1							
7	1	26717-100002	NUT, M10	1							
8	1	1N1600-74650	BOLT 10X30,MACHINE	1							
9	1	22217-100000	WASHER, SPRING 10	1							
10	1	26207-100304	BOLT, M10X 30 PLATED	1							
11	1	26707-100002	NUT, M10	1							
12	1	1N3073-69010	CASE,BLOWER BEARING	1							
13	1	1N1600-84240	SHAFT,BLOWER	1							
14	1	24104-063064	BEARING, BALL 6306UU	2							
15	1	1N1600-79400	KEY 8X7X40S	1							
16	1	1N1600-72000	KEY 7X7X33 SS,FEATHR	1							
17	1	22252-000720	RING, 72	1							
18	1	1N1600-84250	COLLAR 30X24	1							
19	1	1N3746-39010	V-PULLEY 284C-3X30	1							
20	1	1N1600-74890	WASHER 10X35X4.5,RD.	1							
21	1	26136-100202	BOLT, M10X 20 PLATED	1							
22	1	26013-100252	BOLT, M10X 25	4							

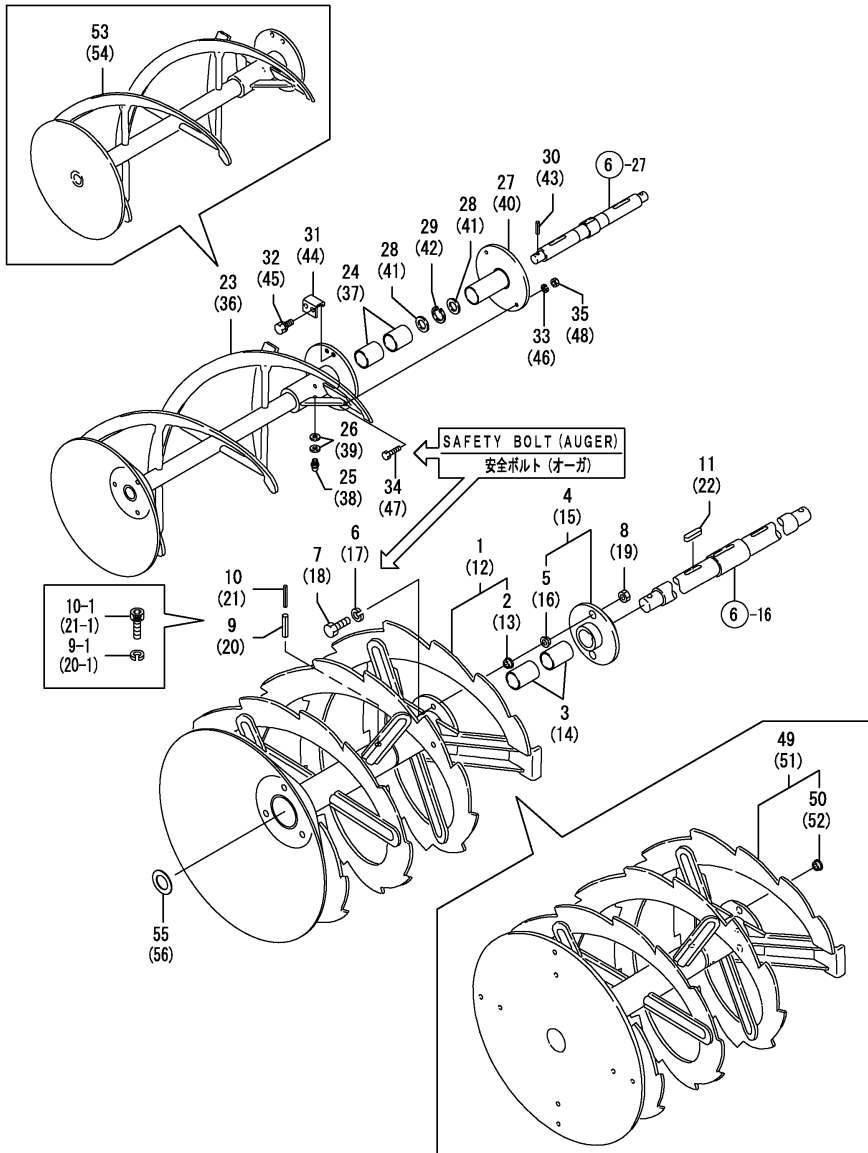
Fig.8. AUGER



No.	Lev.	Parts No.	Description	Q'ty						I	R
				(A)	(B)	(C)	(D)	(E)	(F)		
1	1	1N3763-51000	AUGER L,LOWER STAGE	1							1
2	2	1N1633-59010	BUSH	1							
3	1	1N1600-79320	BUSH BM3550FB	2							
4	1	1N1863-55000	FLANGE CMP,AUGER SHR	1							
5	2	1N1633-59010	BUSH	1							
6	1	22217-100000	WASHER, SPRING 10	1							
7	1	26207-100304	BOLT, M10X 30 PLATED	1							
8	1	26707-100002	NUT, M10	1							
9	1	22351-010045	SPRING PIN 1.0X45	1							
9-1	1	22217-080000	WASHER, SPRING 8	1							S
		(A=F064025)									
10	1	22351-060045	PIN, SPRING 6.0X45	1							
10-1	1	1N1600-85450	BOLT	1							S
		(A=F064025)									
11	1	1N1600-72080	KEY 10X8X40 RR,FTHR.	1							
12	1	1N3763-52000	AUGER R,LOWER STAGE	1							1
13	2	1N1633-59010	BUSH	1							
14	1	1N1600-79320	BUSH BM3550FB	2							
15	1	1N1863-55000	FLANGE CMP,AUGER SHR	1							
16	2	1N1633-59010	BUSH	1							
17	1	22217-100000	WASHER, SPRING 10	1							
18	1	26207-100304	BOLT, M10X 30 PLATED	1							
19	1	26707-100002	NUT, M10	1							
20	1	22351-010045	SPRING PIN 1.0X45	1							
20-1	1	22217-080000	WASHER, SPRING 8	1							S
		(A=F064025)									
21	1	22351-060045	PIN, SPRING 6.0X45	1							
21-1	1	1N1600-85450	BOLT	1							S
		(A=F064025)									
22	1	1N1600-72080	KEY 10X8X40 RR,FTHR.	1							
23	1	1N3763-53000	AUGER L CMP,UPPR.STG	1							1
24	1	1N1600-79310	BUSH BM3540FB	2							
25	1	1N1600-75150	NIPPLE A-MT6X1,GRS.	1							
26	1	22137-060000	WASHER, 6	2							
27	1	1N3243-51000	FLANGE,UPR.STG.SHEAR	1							
28	1	1N1600-78980	WASHER 18X30X3.2,RD.	2							
29	1	22252-000300	RING, 30	1							
30	1	22351-060025	PIN, SPRING 6.0X25	1							
31	1	1N1633-59030	STOPPER	1							
32	1	26013-080122	BOLT, M8X 12	2							
33	1	22217-060000	WASHER, SPRING 6	1							
34	1	26117-060254	BOLT M 6X 25 PLATED	1							
35	1	26717-060002	NUT, M6	1							
36	1	1N3763-54000	AUGER R CMP,UPPR.STG	1							1
37	1	1N1600-79310	BUSH BM3540FB	2							
38	1	1N1600-75150	NIPPLE A-MT6X1,GRS.	1							
39	1	22137-060000	WASHER, 6	2							
40	1	1N3243-51000	FLANGE,UPR.STG.SHEAR	1							
41	1	1N1600-78980	WASHER 18X30X3.2,RD.	2							
42	1	22252-000300	RING, 30	1							
43	1	22351-060025	PIN, SPRING 6.0X25	1							

Remarks  
 (1)PARTS OF DOMESTIC SPECIFICATION  
 (2)PARTS OF OVERSEAS SPECIFICATION

Fig.8. AUGER



(A)=YSR2730

(B)=

(C)=

(D)=

(E)=

(F)=

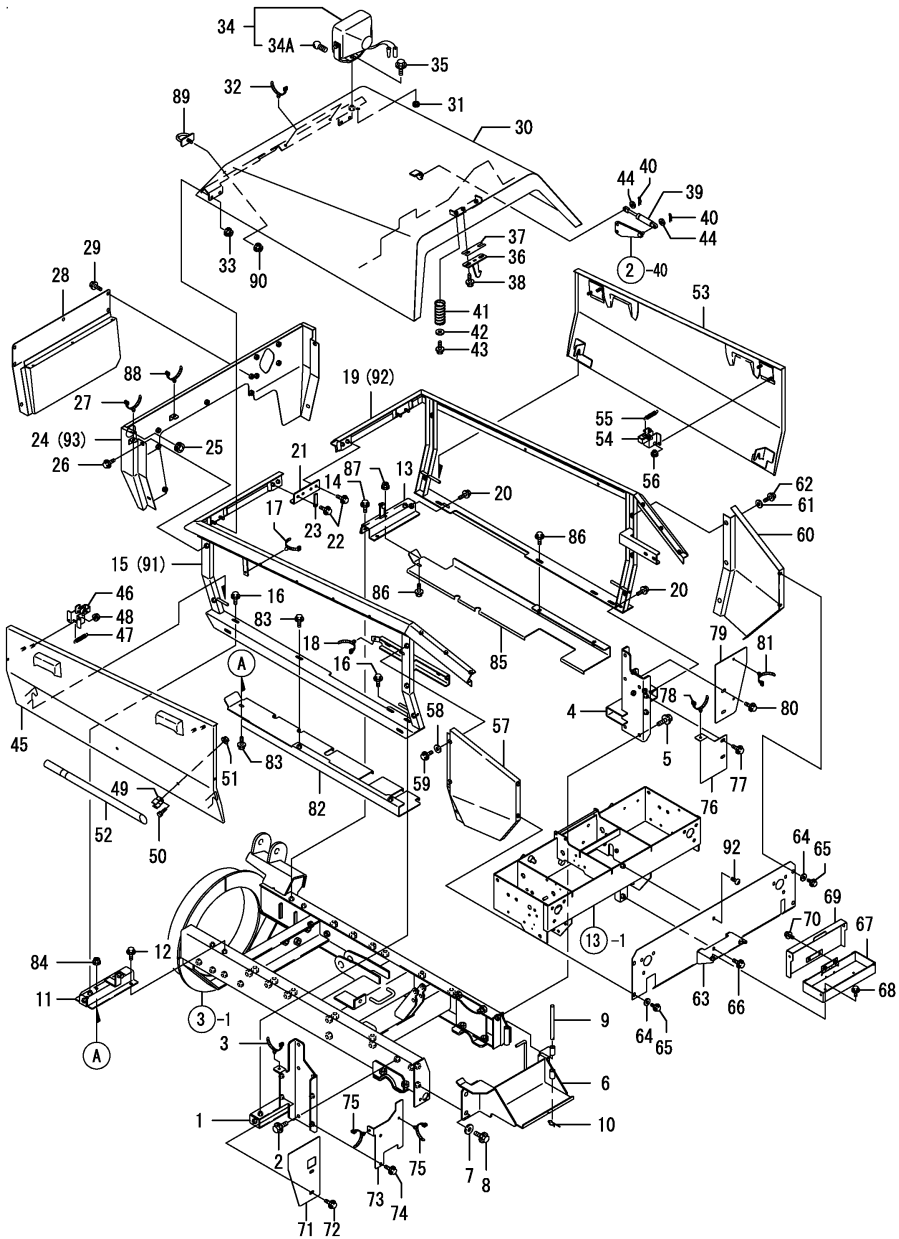
No.	Lev.	Parts No.	Description	Qty						I	R
				(A)	(B)	(C)	(D)	(E)	(F)		
44	1	1N1633-59030	STOPPER	1							
45	1	26013-080122	BOLT, M8X 12	2							
46	1	22217-060000	WASHER, SPRING 6	1							
47	1	26117-060254	BOLT M 6X 25 PLATED	1							
48	1	26717-060002	NUT, M6	1							
49	1	1N1673-51001	AUGER L,LOWER STAGE	1							2
50	2	1N1633-59010	BUSH	1							
51	1	1N1673-52001	AUGER R,LOWER STEP	1							2
52	2	1N1633-59010	BUSH	1							
53	1	1N1600-75810	AUGER L CMP,UPPR.STG	1							2
54	1	1N1600-75820	AUGER R CMP,UPPR.STG	1							2
55	1	1N1639-19260	WASHER,THRUST	1							W
56	1	(A=F064025) 1N1639-19260	WASHER,THRUST	1							W

Remarks

- (1)PARTS OF DOMESTIC SPECIFICATION
- (2)PARTS OF OVERSEAS SPECIFICATION



Fig.9. COVERS



(A)=YSR2730

(B)=

(C)=

(D)=

(E)=

(F)=

No.	Lev.	Parts No.	Description	Q'ty						I	R
				(A)	(B)	(C)	(D)	(E)	(F)		
1	1	1N3764-12000	BRACKET L CMP.,PANEL	1							
2	1	26136-100252	BOLT, M10X 25 PLATED	2							
3	1	1N1600-81590	CLIP 1-19P7,CABLE	1							
4	1	1N3764-13000	BRACKET R CMP.,PANEL	1							
5	1	26136-100252	BOLT, M10X 25 PLATED	2							
6	1	1N3744-14001	BASE COMP.,BATTERY	1							
7	1	22157-100000	WASHER, 10	2							
8	1	26136-100252	BOLT, M10X 25 PLATED	2							
9	1	1N1600-79480	PIN 12X140,PRESSED	1							
10	1	22372-120000	PIN, SNAP 12	1							
11	1	1N3764-82000	STAY L COMP.,COVER	1							
12	1	26106-080162	BOLT, M8X 16 PLATED	2							
13	1	1N3764-83000	STAY R COMP.,COVER	1							
14	1	26106-080162	BOLT, M8X 16 PLATED	2							
15	1	7N3764-84000	PL ASSY.,CVR.FRAME L	1							1
16	1	26106-080162	BOLT, M8X 16 PLATED	4							
17	1	1N1600-79020	STRAP 1-1W02,CABLE	1							
18	1	1N1600-74330	TIE RF250,REPEAT	1							
19	1	7N3764-85000	PL ASSY.,CVR.FRAME R	1							1
20	1	26106-080162	BOLT, M8X 16 PLATED	4							
21	1	1N3244-89010	JOINT,FRAME	1							
22	1	26106-080162	BOLT, M8X 16 PLATED	4							
23	1	1N1600-84590	TRUSS SCREW, 8X16	1							
24	1	1N3744-91001	COVER COMP.,FRONT	1							1
25	1	1N1600-77670	BUSH BW-32-2,RUBBER	1							
26	1	26106-080162	BOLT, M8X 16 PLATED	4							
27	1	1N1600-79020	STRAP 1-1W02,CABLE	1							
28	1	1N3744-92001	COVER CMP.,FRNT.BELT	1							
29	1	26106-080162	BOLT, M8X 16 PLATED	5							
30	1	1N3744-81001	BONNET COMPL.	1							
31	1	1N1600-74140	BUSH BSB-21,RUBBER	1							
32	1	1N1600-81590	CLIP 1-19P7,CABLE	1							
33	1	26367-080002	NUT, M8	4							
34	1	1N3248-33000	LAMP,WORKING (L)	1							
34A	2	1N3248-33200	BULB 12V27W	1							
35	1	26136-100202	BOLT, M10X 20 PLATED	1							
36	1	1N3767-68000	HOOK COMPL..	1							
37	1	1N3243-19020	SIM	3							
38	1	26106-080162	BOLT, M8X 16 PLATED	2							
39	1	1N3244-00010	DAMPER 084603,GAS	1							
40	1	1N1600-72230	PIN 8,SNAP	2							
41	1	1N3249-16030	SPRING,BONNET	1							
42	1	22157-060000	WASHER, 6	1							
43	1	26106-060162	BOLT, M6X 16 PLATED	1							
44	1	22137-080000	WASHER, 8	2							
45	1	1N3764-87000	COVER L COMP.,SIDE	1							
46	1	1N3244-87000	STOPPER CMP.,SD.CVR.	2							
47	1	1N3249-16020	SPRING 9.5X42,COILED	2							
48	1	26367-060002	NUT, M6	4							
49	1	1N1803-99020	METAL,LOCK	2							
50	1	26116-080162	BOLT, M8X 16 PLATED	2							

Remarks

(1)PARTS OF DOMESTIC SPECIFICATION

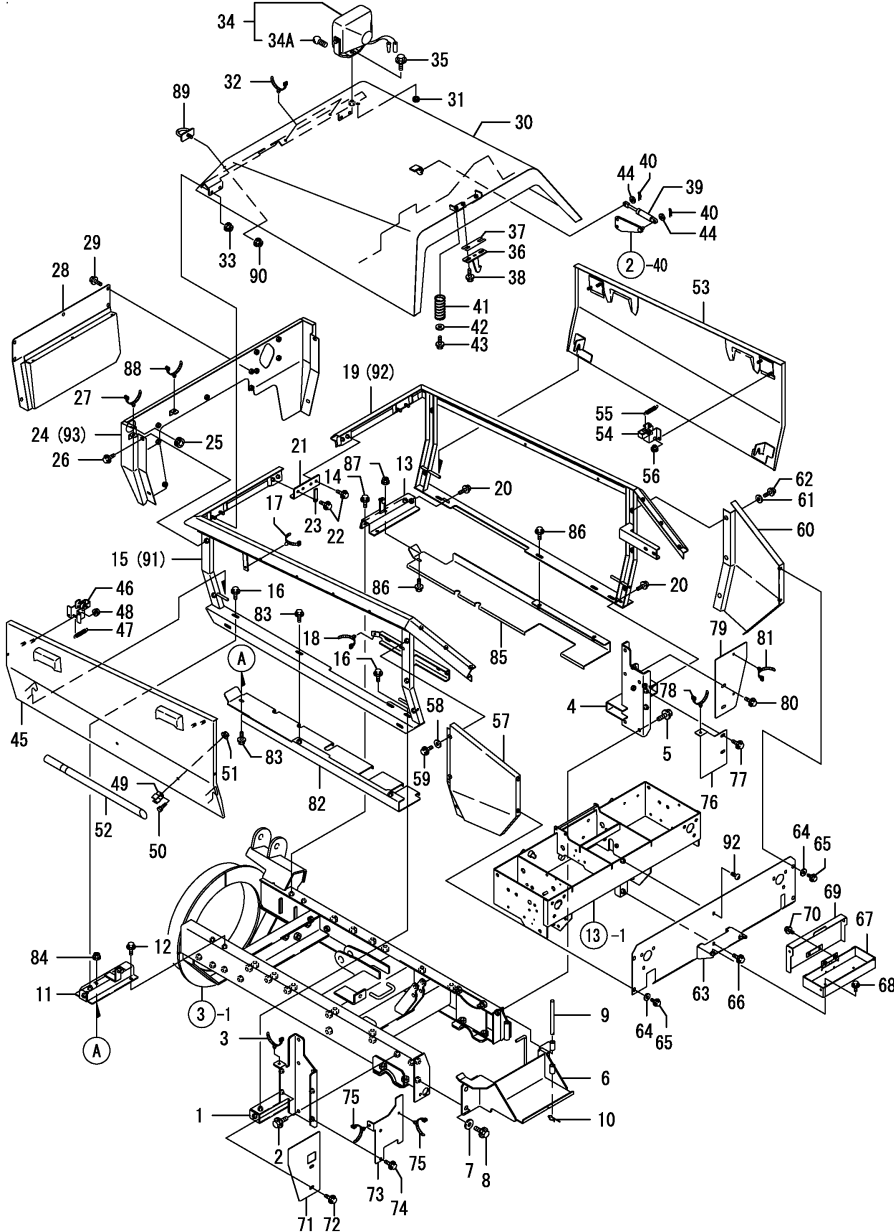
(2)PARTS OF OVERSEAS SPECIFICATION

N:Old  $\frac{Yes}{No}$  New, Q:Old  $\frac{No}{Yes}$  New, R:Old  $\frac{Yes}{No}$  New, S:Old  $\frac{No}{Yes}$  New, W:Add, Z:Discontinued, F:Interchangeable by set, K:Q'ty Change

++ CONTINUE ++

Copyright (C) YANMAR CO., LTD. All Rights Reserved.

Fig.9. COVERS



(A)=YSR2730

(B)=

(C)=

(D)=

(E)=

(F)=

No.	Lev.	Parts No.	Description	Qty						I	R
				(A)	(B)	(C)	(D)	(E)	(F)		
51	1	26367-080002	NUT, M8	2							
52	1	1N1710-71072	ROD,SNOW SHOVELING	1							
53	1	1N3764-88000	COVER R COMP.,SIDE	1							
54	1	1N3244-87000	STOPPER CMP.,SD.CVR.	2							
55	1	1N3249-16020	SPRING 9.5X42,COILED	2							
56	1	26367-060002	NUT, M6	4							
57	1	1N3764-93000	COVER L,REAR SIDE	1							
58	1	22157-080000	WASHER, 8	3							
59	1	26106-080162	BOLT, M8X 16 PLATED	3							
60	1	1N3764-94000	COVER R,REAR SIDE	1							
61	1	22157-080000	WASHER, 8	3							
62	1	26106-080162	BOLT, M8X 16 PLATED	3							
63	1	1N3764-97000	COVER COMP.,REAR	1							
64	1	22157-060000	WASHER, 6	4							
65	1	26106-060122	BOLT, M6X 12 PLATED	4							
66	1	26106-080162	BOLT, M8X 16 PLATED	1							
67	1	1N3734-21000	BOX COMP.,TOOL	1							
68	1	26106-060122	BOLT, M6X 12 PLATED	2							
69	1	1N3734-22000	COVER COMP.,TOOL BOX	1							
70	1	26106-060122	BOLT, M6X 12 PLATED	2							
71	1	1N3744-89010	COVER FL,REAR	1							
72	1	26106-080162	BOLT, M8X 16 PLATED	2							
73	1	1N3764-89010	COVER RL,REAR	1							
74	1	26106-080162	BOLT, M8X 16 PLATED	2							
75	1	1N1600-81590	CLIP 1-19P7,CABLE	2							
76	1	1N3744-89030	COVER FR,REAR	1							
77	1	26106-080162	BOLT, M8X 16 PLATED	2							
78	1	1N1600-81590	CLIP 1-19P7,CABLE	1							
79	1	1N3744-89040	COVER RR,REAR	1							
80	1	26106-080162	BOLT, M8X 16 PLATED	2							
81	1	1N1600-81590	CLIP 1-19P7,CABLE	1							
82	1	1N3744-95001	COVER L COMP.,UNDER	1							
83	1	26106-080162	BOLT, M8X 16 PLATED	3							
84	1	26367-080002	NUT, M8	1							
85	1	1N3764-96000	COVER R COMP.,UNDER	1							
86	1	26106-080162	BOLT, M8X 16 PLATED	3							
87	1	26367-080002	NUT, M8	1							
88	1	1N1600-82640	STRAP 1-1765,CABLE	1							
89	1	1N3764-21000	CLAMP COMP.,HARNESS	1							
90	1	26367-080002	NUT, M8	1							
91	1	1N3764-84000	FRAME L COMP.,COVER	1							2
92	1	1N1600-84680	PL ASSY.,CVR.FRAME R	1							2
93	1	1N1600-84710	PL ASSY.,FRONT COVER	1							2

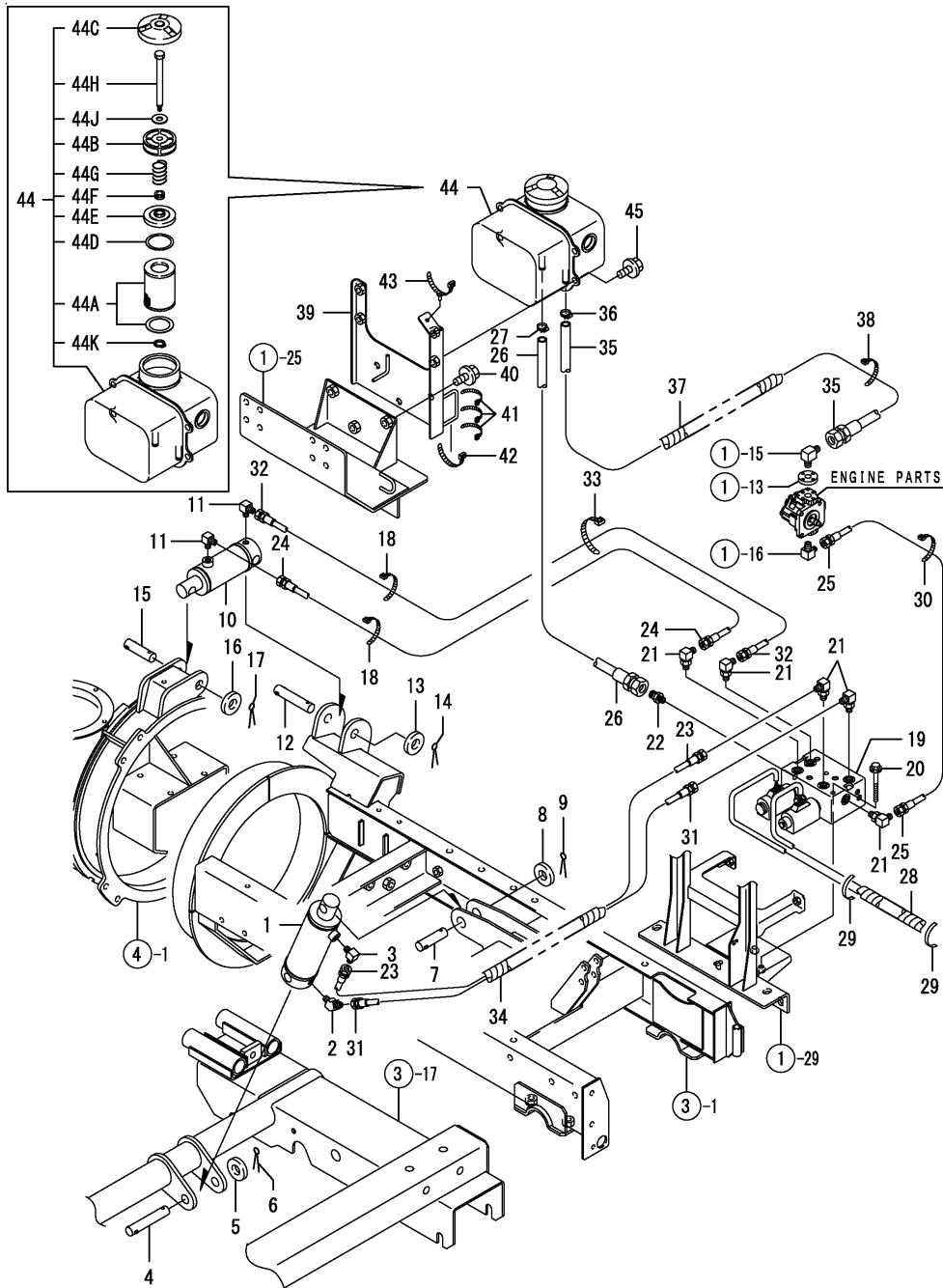
Remarks

(1)PARTS OF DOMESTIC SPECIFICATION

(2)PARTS OF OVERSEAS SPECIFICATION

N:Old  $\xrightarrow{\text{Yes}}$  New, Q:Old  $\xrightarrow{\text{No}}$  New, R:Old  $\xrightarrow{\text{Yes}}$  New, S:Old  $\xrightarrow{\text{No}}$  New, W:Add, Z:Discontinued, F:Interchangeable by set, K:Q'ty Change

Fig.10. HYDRAULIC PIPING



(A)=YSR2730

(B)=

(C)=

(D)=

(E)=

(F)=

No.	Lev.	Parts No.	Description	Qty						I	R
				(A)	(B)	(C)	(D)	(E)	(F)		
1	1	1N3765-00010	CYLINDER 60X115,HYD.	1							
2	1	1N1600-74340	ELBOW 45 302404	1							
3	1	1N1600-75020	ELBOW 90 302204	1							
4	1	1N1600-74670	PIN 20X110,SLOTTED	1							
5	1	22137-200000	WASHER, 20	1							
6	1	22417-400320	PIN, COTTER 4.0X32	1							
7	1	1N1600-74380	PIN 20X75	1							
8	1	22137-200000	WASHER, 20	1							
9	1	22417-400320	PIN, COTTER 4.0X32	1							
10	1	1N3765-00020	CYLINDER 50X60,HYD.	1							
11	1	1N1600-75020	ELBOW 90 302204	2							
12	1	1N1600-74660	PIN 20X100,SLOTTED	1							
13	1	22137-200000	WASHER, 20	1							
14	1	22417-400320	PIN, COTTER 4.0X32	1							
15	1	1N1600-74380	PIN 20X75	1							
16	1	22137-200000	WASHER, 20	1							
17	1	22417-400320	PIN, COTTER 4.0X32	1							
18	1	1N1600-77210	TIE RF140,REPEAT	2							
19	1	1N3745-21000	VALVE, SOLENOID	1							
20	1	26106-080802	BOLT, M8X 80 PLATED	2							
21	1	1N3245-19010	ELBOW PF1/4XPF1/4	5							
22	1	1N3745-19010	JOINT PF1/4XPF3/8	1							
23	1	1N1600-79080	HOSE 1/4X750,HYDRLC.	1							
24	1	1N1600-84750	HOSE 1/4X840,HYDRLC.	1							
25	1	1N1600-84460	HOSE 1/4X650,HYDRLC.	1							
26	1	1N3745-72000	HOSE 450,HYDRAULIC	1							
27	1	1N1600-77310	BAND 19,UNIVERSAL	1							
28	1	1N1600-84420	TUBE 13X150,CORRUGA.	1							
29	1	1N1600-84410	TAPE 100,VINYL	2							
30	1	1N1600-77210	TIE RF140,REPEAT	1							
31	1	1N1600-81550	HOSE 1/4X700,HYDRLC.	1							
32	1	1N1600-79090	HOSE 1/4X800,HYDRLC.	1							
33	1	1N1600-74330	TIE RF250,REPEAT	1							
34	1	1N1600-84440	CORRUGATE 25X300	1							
35	1	1N3745-71000	HOSE 600,HYDRAULIC	1							
36	1	1N1600-77310	BAND 19,UNIVERSAL	1							
37	1	1N1600-84450	CORRUGATE 25X400	1							
38	1	1N1600-77210	TIE RF140,REPEAT	1							
39	1	1N3765-11000	STAY COMP., OIL TANK	1							
40	1	26136-120202	BOLT, M12X 20 PLATED	3							
41	1	1N1600-77210	TIE RF140,REPEAT	3							
42	1	1N1600-74330	TIE RF250,REPEAT	1							
43	1	1N1600-81590	CLIP 1-19P7,CABLE	1							
44	1	1N3745-22000	TANK, LUB OIL	1							
44A	2	1N3745-22100	FILTER	1							
44B	2	1N3745-22200	SEPARATOR	1							
44C	2	1N3745-22300	CAP, OIL TANK	1							
44D	2	1N3745-22910	GASKET	1							
44E	2	1N3745-22920	CAP, FILTER	1							
44F	2	1N3745-22930	BUSH, RUBBER	1							
44G	2	1N3745-22940	SPRING	1							

Fig.10. HYDRAULIC PIPING

(A)=YSR2730

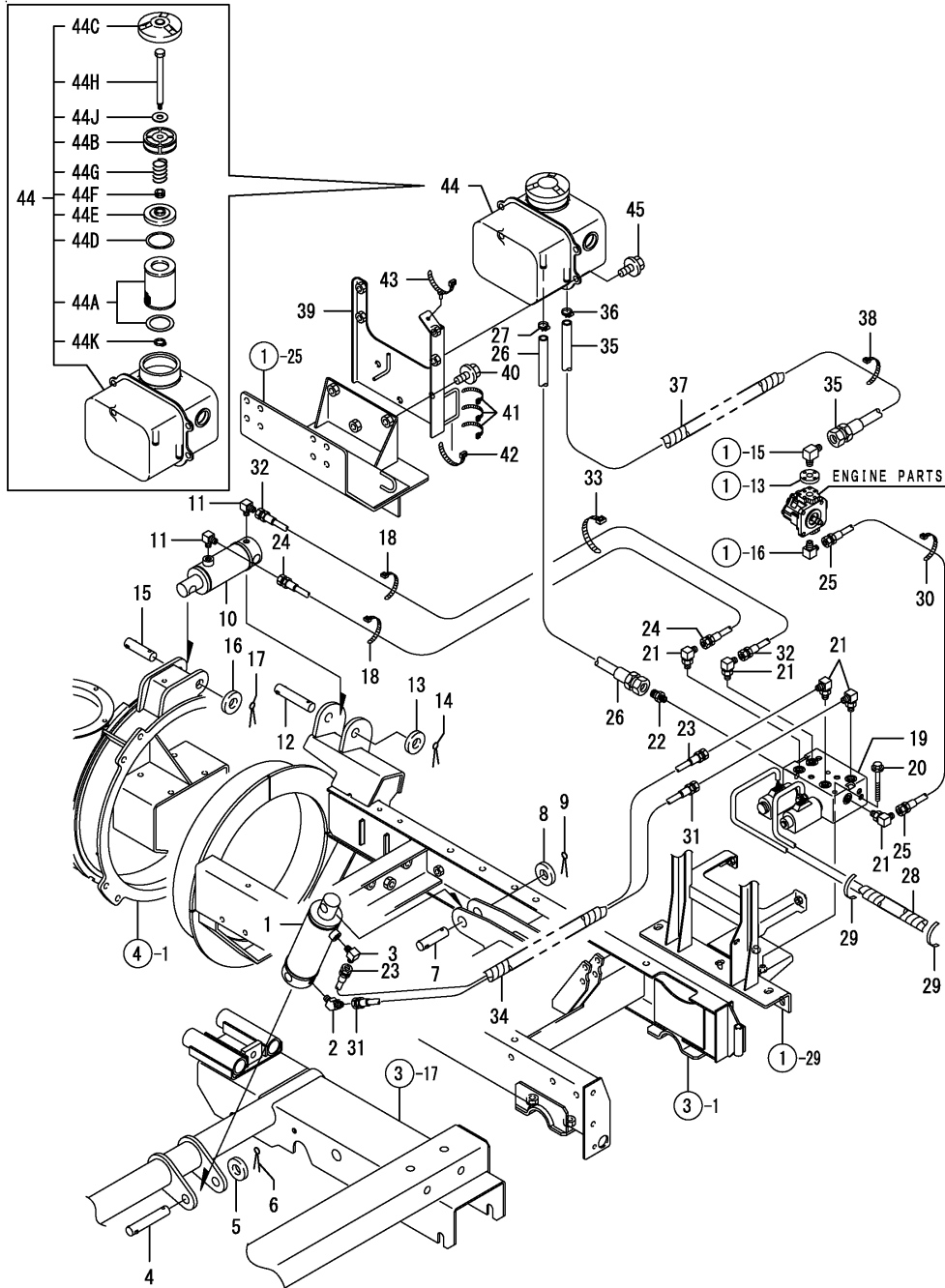
(B)=

(C)=

(D)=

(E)=

(F)=



No.	Lev.	Parts No.	Description	Q'ty						I	R
				(A)	(B)	(C)	(D)	(E)	(F)		
44H	2	1N3745-22950	BOLT	1							
44J	2	1N3745-22960	WASHER	1							
44K	2	22242-000120	RING, 12	1							
45	1	26136-120202	BOLT, M12X 20 PLATED	4							

Fig.11. POWER TRANSMISSION(1)

(A)=YSR2730

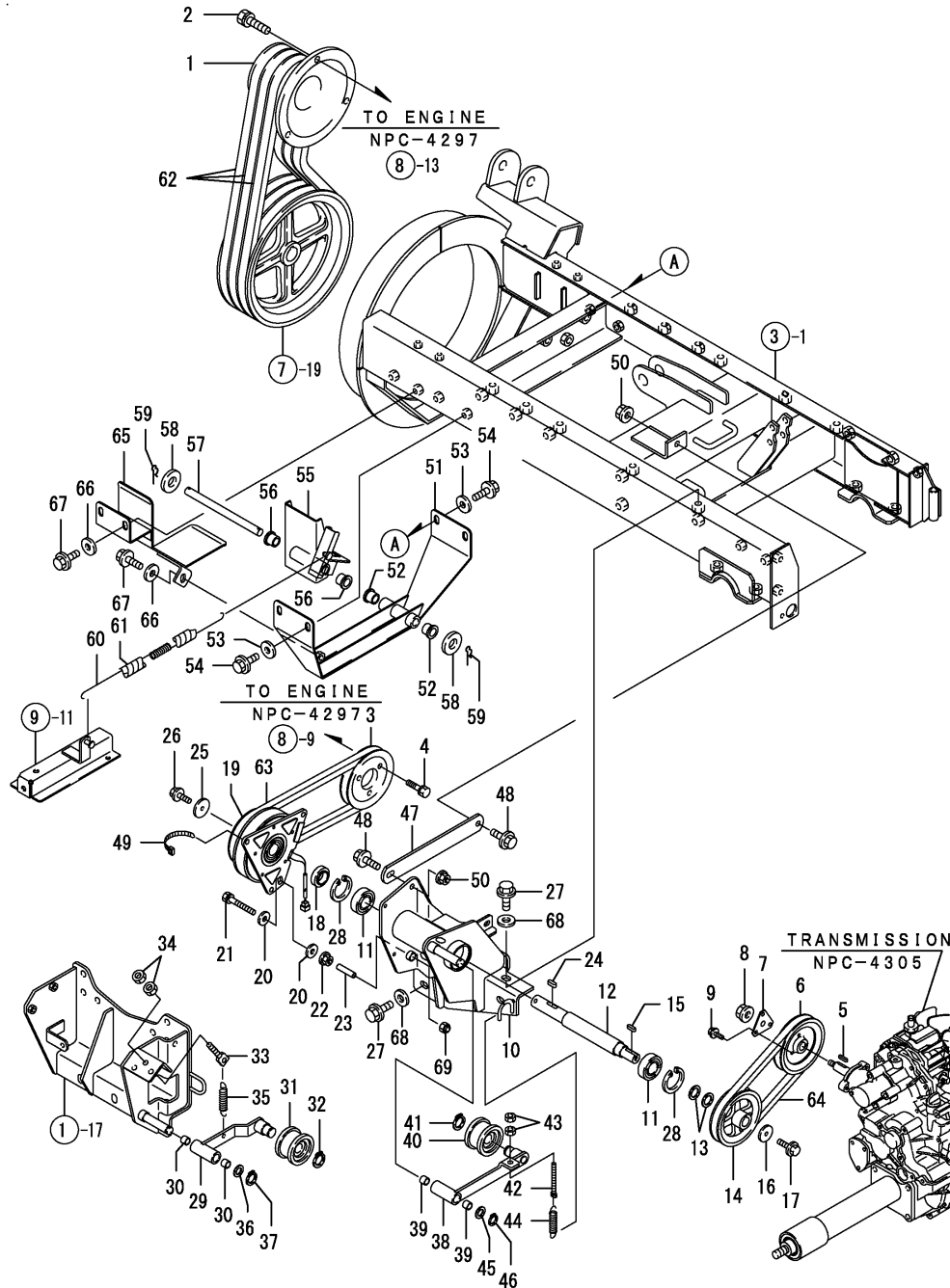
(B)=

(C)=

(D)=

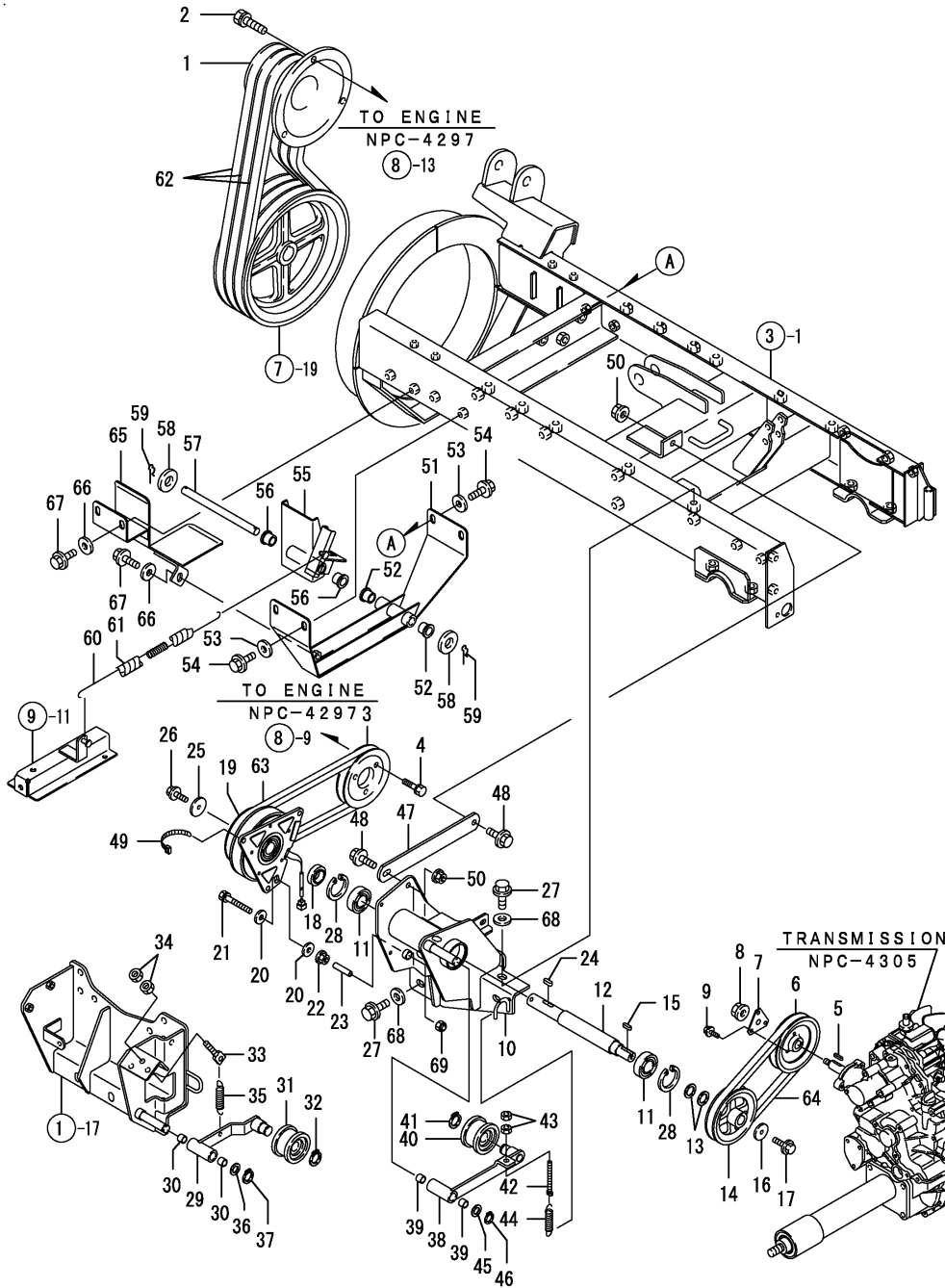
(E)=

(F)=



No.	Lev.	Parts No.	Description	Q'ty						I	R
				(A)	(B)	(C)	(D)	(E)	(F)		
1	1	1N3740-29010	PULLEY,ENGINE BLOWER	1							
2	1	26013-120302	BOLT, M12X 30	3							
3	1	1N3490-29020	PULLEY,ENGINE	1							
4	1	26013-100302	BOLT, M10X 30	3							
5	1	22550-050220	KEY 5X22	1							
6	1	1N3746-39020	PULLEY,INPUT HST	1							
7	1	1N3741-69010	PLATE ,FIXING	1							
8	1	26377-100002	NUT, M10	1							
9	1	26106-060162	BOLT, M6X 16 PLATED	3							
10	1	1N3746-11001	BASE COMP.,TENSION	1							
11	1	24104-062054	BEARING, BALL 6205UU	2							
12	1	1N3746-49011	SHAFT,COUNTER	1							
13	1	1N1600-78990	WASHER 20X30X2.3,RD.	2							
14	1	1N3246-39020	V-PULLEY 113BX20	1							
15	1	1N1600-79700	KEY 6X6X20S	1							
16	1	1N1600-80570	WASHER 8X35X4.5,RD.	1							
17	1	26106-080202	BOLT, M8X 20 PLATED	1							
18	1	1N3496-49020	COLLAR,COUNTER SHAFT	1							
19	1	1N3496-71000	CLUTCHCMP; ELECTLIC	1							
20	1	22157-080000	WASHER, 8	2							
21	1	26116-080554	BOLT, M8X 55 PLATED	1							
22	1	26367-080002	NUT, M8	1							
23	1	1N1600-84140	TUBE 7.3X30	1							
24	1	22551-070200	KEY, 7X 20	1							
25	1	1N1600-82910	WASHER 8X40X4.5,RD.	1							
26	1	26106-080202	BOLT, M8X 20 PLATED	1							
27	1	26013-120302	BOLT, M12X 30	5							
28	1	22252-000520	RING, 52	2							
29	1	1N3746-62000	ARM A COMP.,TENSION	1							
30	1	1N1600-84540	BUSH BM1512FB	2							
31	1	1N1600-84490	PULLEY 70TB2,TENSION	1							
32	1	22242-000200	RING, 20	1							
33	1	1N1636-59010	SCREW,TENSION ADJUST	1							
34	1	26717-080002	NUT, M8	2							
35	1	1N1619-16010	SPRING, TENSION	1							
36	1	1N1600-78970	WACHER 15X25X2.3	1							
37	1	22242-000150	RING, 15	1							
38	1	1N3746-63000	ARM B COMP.,TENSION	1							
39	1	1N1600-84540	BUSH BM1512FB	2							
40	1	1N1600-84490	PULLEY 70TB2,TENSION	1							
41	1	22242-000200	RING, 20	1							
42	1	1N1600-84290	ROD,TENSION	1							
43	1	26717-080002	NUT, M8	2							
44	1	1N1619-16010	SPRING, TENSION	1							
45	1	1N1600-78970	WACHER 15X25X2.3	1							
46	1	22242-000150	RING, 15	1							
47	1	1N3746-19010	SUPPORT,TENSION BASE	1							
48	1	26136-100252	BOLT, M10X 25 PLATED	2							
49	1	1N1600-77210	TIE RF140,REPEAT	1							
50	1	26377-100002	NUT, M10	2							
51	1	1N3746-51000	BRACKET COMP.,BRAKE	1							

Fig.11. POWER TRANSMISSION(1)



(A)=YSR2730

(B)=

(C)=

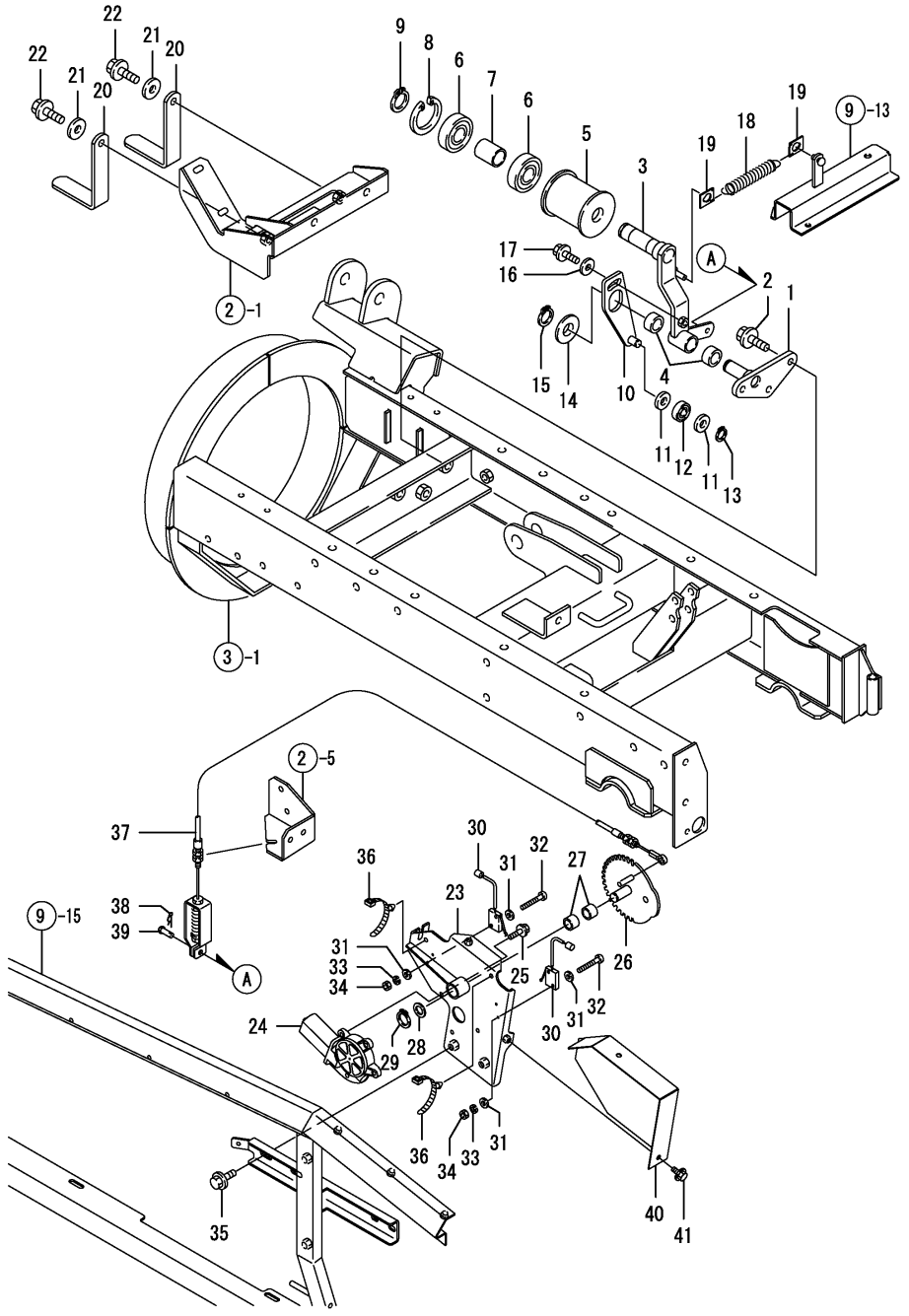
(D)=

(E)=

(F)=

No.	Lev.	Parts No.	Description	Q'ty						I	R
				(A)	(B)	(C)	(D)	(E)	(F)		
52	1	1N1600-84530	BUSH 80F-1515,FLANGE	2							
53	1	22157-100000	WASHER, 10	4							
54	1	26136-100202	BOLT, M10X 20 PLATED	4							
55	1	1N3766-51000	BRAKE COMP.,BLOWER	1							
56	1	1N1600-84530	BUSH 80F-1515,FLANGE	2							
57	1	1N3746-59010	PIN,BRAKE 15X195	1							
58	1	22137-160000	WASHER, 16	2							
59	1	22372-160000	PIN, SNAP 16	2							
60	1	1N3746-69010	SPRING,BRAKE	1							
61	1	1N1600-84480	PLUMBER 15X60	1							
62	1	1N1600-84220	BELT,SC51	3							
63	1	1N1600-81860	BELT,SB37	1							
64	1	1N1600-83310	BELT,SB33	1							
65	1	1N3746-56000	STOPPER COMP.,BELT	1							
66	1	22157-100000	WASHER, 10	3							
67	1	26136-100202	BOLT, M10X 20 PLATED	3							
68	1	22137-120000	WASHER, 12	5							
69	1	1N1600-74790	U-NUT 8	1							

Fig.12. POWER TRANSMISSION(2)



(A)=YSR2730

(B)=

(C)=

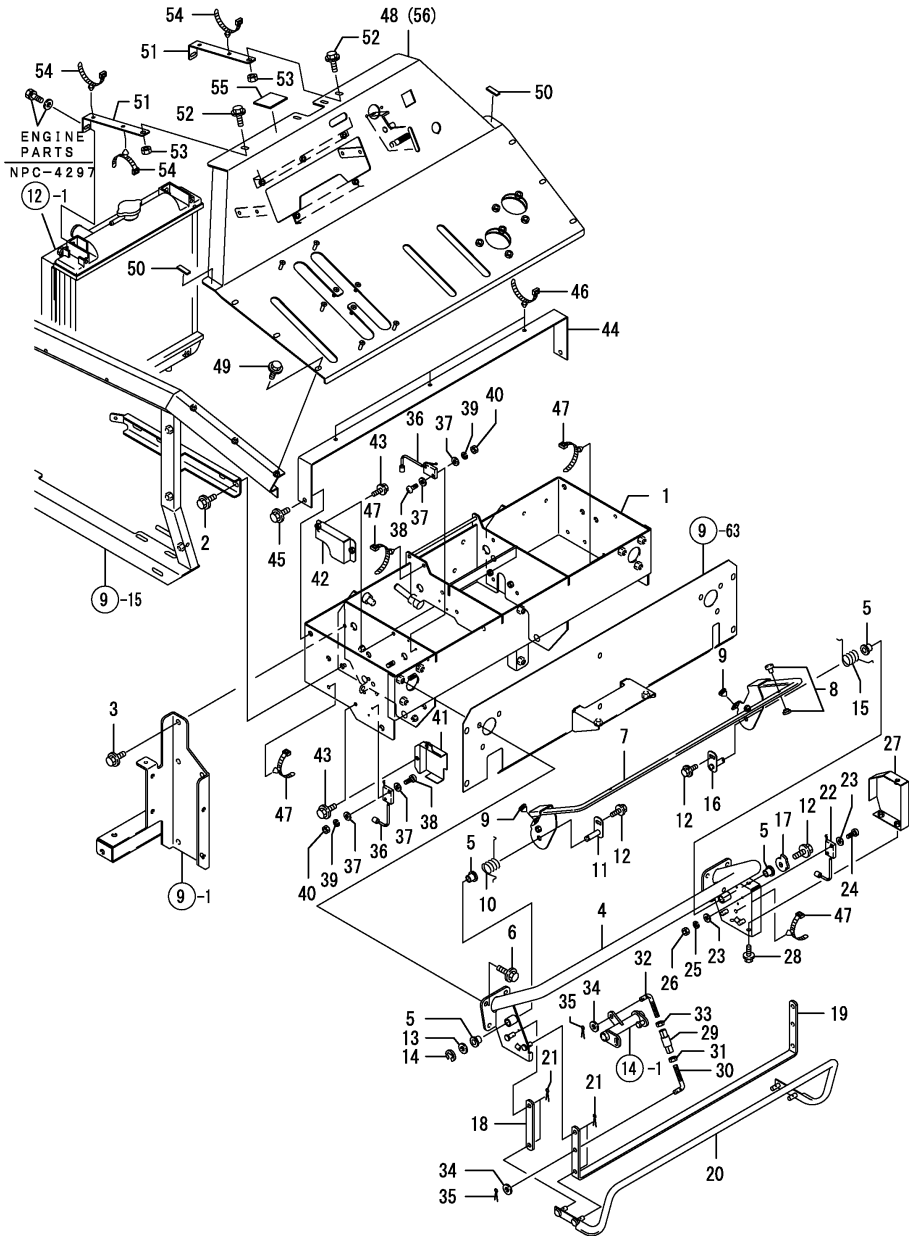
(D)=

(E)=

(F)=

No.	Lev.	Parts No.	Description	Q'ty						I	R
				(A)	(B)	(C)	(D)	(E)	(F)		
1	1	1N3246-64000	SHAFT CMP.,BLWR.TENS	1							
2	1	26136-100252	BOLT, M10X 25 PLATED	3							
3	1	1N3746-61000	ARM CMP,SNW.RM.CLTCH	1							
4	1	1N1600-78440	BUSH BM2015FB	2							
5	1	1N1600-79250	PULLEY 72-3,TENSION	1							
6	1	24104-063054	BEARING, BALL 6305UU	2							
7	1	1N3246-69010	COLLAR 25X40	1							
8	1	22252-000620	RING, 62	1							
9	1	22242-000250	RING, 25	1							
10	1	1N3766-53000	CAM COMP, BRAKE	1							
11	1	22137-120000	WASHER, 12	2							
12	1	24104-062014	BEARING, BALL 6201UU	1							
13	1	22242-000120	RING, 12	1							
14	1	22137-200000	WASHER, 20	1							
15	1	22242-000200	RING, 20	1							
16	1	22157-080000	WASHER, 8	1							
17	1	26106-080252	BOLT, M8X 25 PLATED	1							
18	1	1N3736-69020	SPRING, TENSION	1							
19	1	1N3736-69030	HOOK, SPRING	2							
20	1	1N3766-59010	STOPPER, BLOWER BELT	2							
21	1	22157-100000	WASHER, 10	2							
22	1	26136-100202	BOLT, M10X 20 PLATED	2							
23	1	1N3736-65000	BASE COMP., CLUTCH	1							
24	1	1N3738-11000	MOTOR JC578VA	1							
25	1	26106-060202	BOLT, M6X 20 PLATED	3							
26	1	1N3736-66000	GEAR COMP., CLUTCH	1							
27	1	1N1600-84550	BUSH 77B-1515	2							
28	1	1N1600-78970	WACHER 15X25X2.3	1							
29	1	22242-000150	RING, 15	1							
30	1	1N3198-31000	SWITCH, CHUTE SWING	2							
31	1	22137-030000	WASHER, 3	8							
32	1	26557-030202	SCREW, M3X20	4							
33	1	22217-030000	WASHER, SPRING 3	4							
34	1	26717-030002	NUT, M3	4							
35	1	26106-080162	BOLT, M8X 16 PLATED	2							
36	1	1N1600-81590	CLIP 1-19P7, CABLE	2							
37	1	1N3767-71000	WIRE, SNW.REMV.CLUTCH	1							
38	1	1N1600-72230	PIN 8, SNAP	1							
39	1	1N1600-79380	PIN 8X22, ROUND HEAD	1							
40	1	1N3736-89010	COVER, CLUTCH	1							
41	1	26106-060122	BOLT, M6X 12 PLATED	2							

Fig.13. PANEL & HANDLE



Remarks  
 (1)PARTS OF DOMESTIC SPECIFICATION  
 (2)PARTS OF OVERSEAS SPECIFICATION

(A)=YSR2730

(B)=

(C)=

(D)=

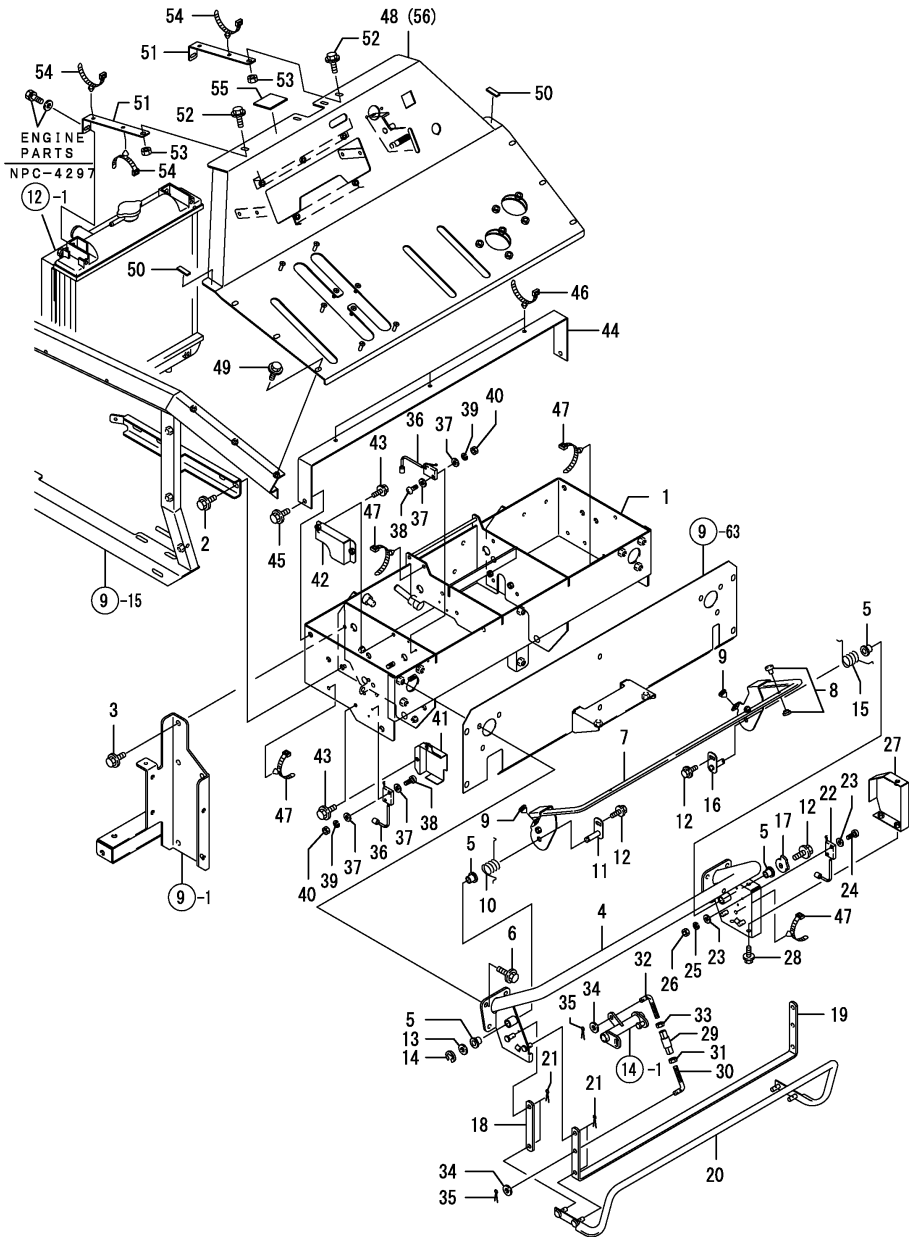
(E)=

(F)=

No.	Lev.	Parts No.	Description	Q'ty						I	R
				(A)	(B)	(C)	(D)	(E)	(F)		
1	1	1N3767-22000	BOX COMPL.,CONTROL	1							
2	1	26106-080162	BOLT, M8X 16 PLATED	4							
3	1	26136-100202	BOLT, M10X 20 PLATED	6							
4	1	1N3767-24000	HANDLE COMPL.	1							
5	1	1N1600-84510	BUSH 80F-1010,FLANGE	4							
6	1	26106-080202	BOLT, M8X 20 PLATED	6							
7	1	1N3767-31000	LEVER,MAIN CLUTCH	1							
8	1	1N1600-83710	RIVET	2							
9	1	1N1629-17010	BALL BEARING	2							
10	1	1N3767-29010	SPRING L,RETURN	1							
11	1	1N3767-46000	PIN R COMPL.,LEVER	1							
12	1	26106-060122	BOLT, M6X 12 PLATED	3							
13	1	22137-100000	WASHER, 10	1							
14	1	22272-000080	RING, E- 8	1							
15	1	1N3767-29020	SPRING R,RETURN	1							
16	1	1N3767-45000	PIN A COMPL.,LEVER	1							
17	1	1N3767-49030	CAM B,SWITCH	1							
18	1	1N3347-39090	LINK 100,LEVER	2							
19	1	1N3767-39010	LEVER B,EMERG. STOP	1							
20	1	1N3767-36000	LEVER A,EMERG. STOP	1							
21	1	22417-250160	PIN, COTTER 2.5X16	8							
22	1	1N3198-31000	SWITCH,CHUTE SWING	1							
23	1	22137-030000	WASHER, 3	4							
24	1	26557-030202	SCREW, M3X20	2							
25	1	22217-030000	WASHER, SPRING 3	2							
26	1	26717-030002	NUT, M3	2							
27	1	1N3767-84000	COVER D COMP., SWIT.	1							
28	1	26106-060122	BOLT, M6X 12 PLATED	3							
29	1	1N1600-84270	LINK 50	1							
30	1	1N3767-49040	ROD L,ADJUSTING	1							
31	1	1N1600-83070	NUT 8,L.H. SCREW	1							
32	1	1N3767-49050	ROD R,ADJUSTING	1							
33	1	26367-080002	NUT, M8	1							
34	1	22137-080000	WASHER, 8	2							
35	1	22417-250160	PIN, COTTER 2.5X16	2							
36	1	1N3198-31000	SWITCH,CHUTE SWING	2							
37	1	22137-030000	WASHER, 3	8							
38	1	26557-030202	SCREW, M3X20	4							
39	1	22217-030000	WASHER, SPRING 3	4							
40	1	26717-030002	NUT, M3	4							
41	1	1N3497-81000	COVER A COMP., SWIT.	1							
42	1	1N3767-83000	COVER C COMP., SWIT.	1							
43	1	26106-060122	BOLT, M6X 12 PLATED	4							
44	1	1N3768-29020	STAY,HARNESS	1							
45	1	26106-080162	BOLT, M8X 16 PLATED	2							
46	1	1N1600-84360	STRAP 1-5782,CABLE	3							
47	1	1N1600-81590	CLIP 1-19P7,CABLE	4							
48	1	7N3748-21001	PL ASSY.,INDIC.PANEL	1							1
49	1	26106-060122	BOLT, M6X 12 PLATED	6							
50	1	1N3768-29030	RUBBER 10X30X3	2							
51	1	1N3748-29020	STAY,PANEL	2							



Fig.13. PANEL & HANDLE



(A)=YSR2730

(B)=

(C)=

(D)=

(E)=

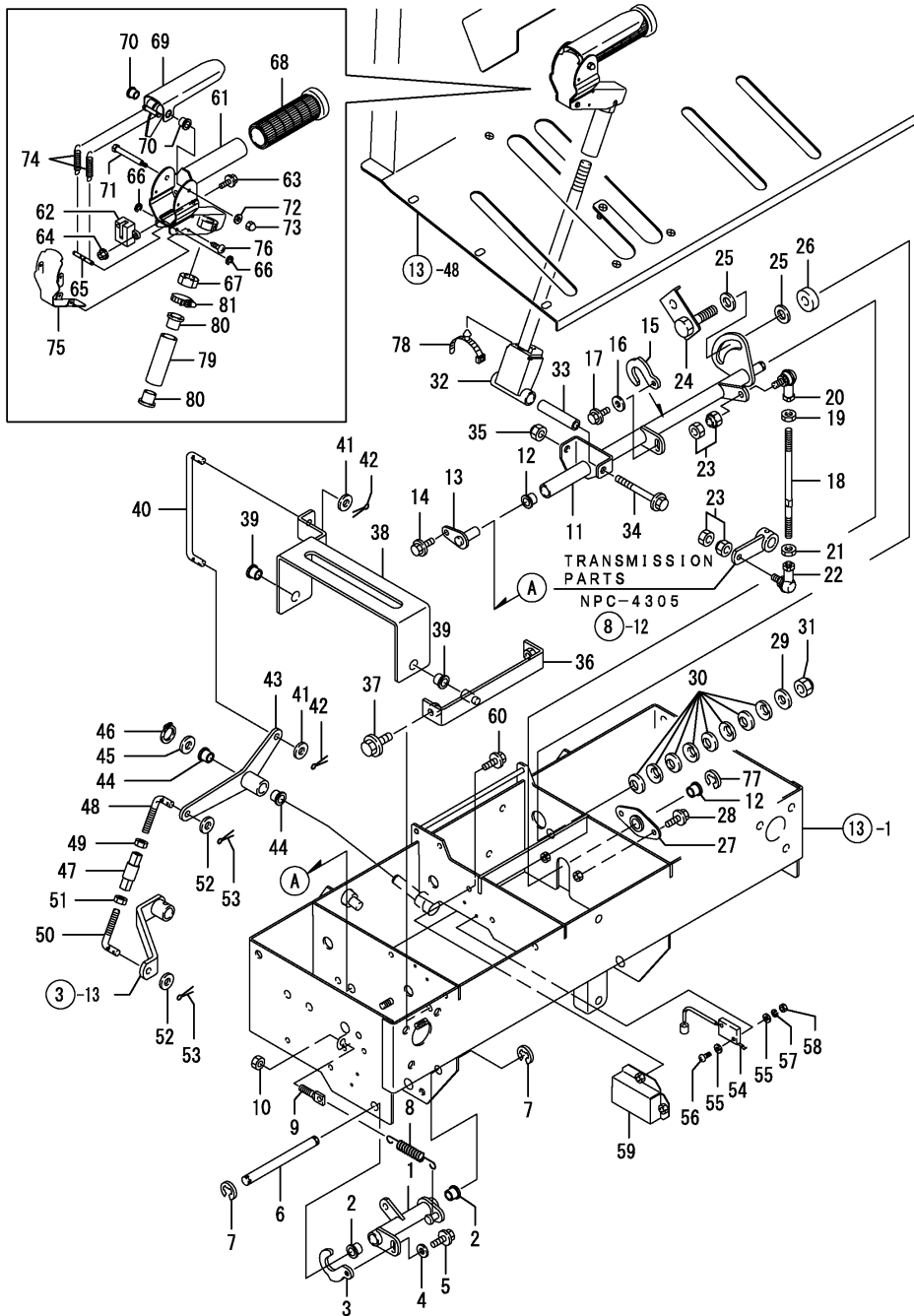
(F)=

No.	Lev.	Parts No.	Description	Q'ty						I	R
				(A)	(B)	(C)	(D)	(E)	(F)		
52	1	26106-080162	BOLT, M8X 16 PLATED	2							
53	1	26367-080002	NUT, M8	2							
54	1	1N1600-81590	CLIP 1-19P7,CABLE	3							
55	1	1N3242-19050	RUBBER 50X50X3.0	1							
56	1	1N1600-84720	PL ASSY.,INDIC.PANEL	1							2

Remarks

- (1)PARTS OF DOMESTIC SPECIFICATION
- (2)PARTS OF OVERSEAS SPECIFICATION

Fig.14. CONTROL LEVER(1)



(A)=YSR2730

(B)=

(C)=

(D)=

(E)=

(F)=

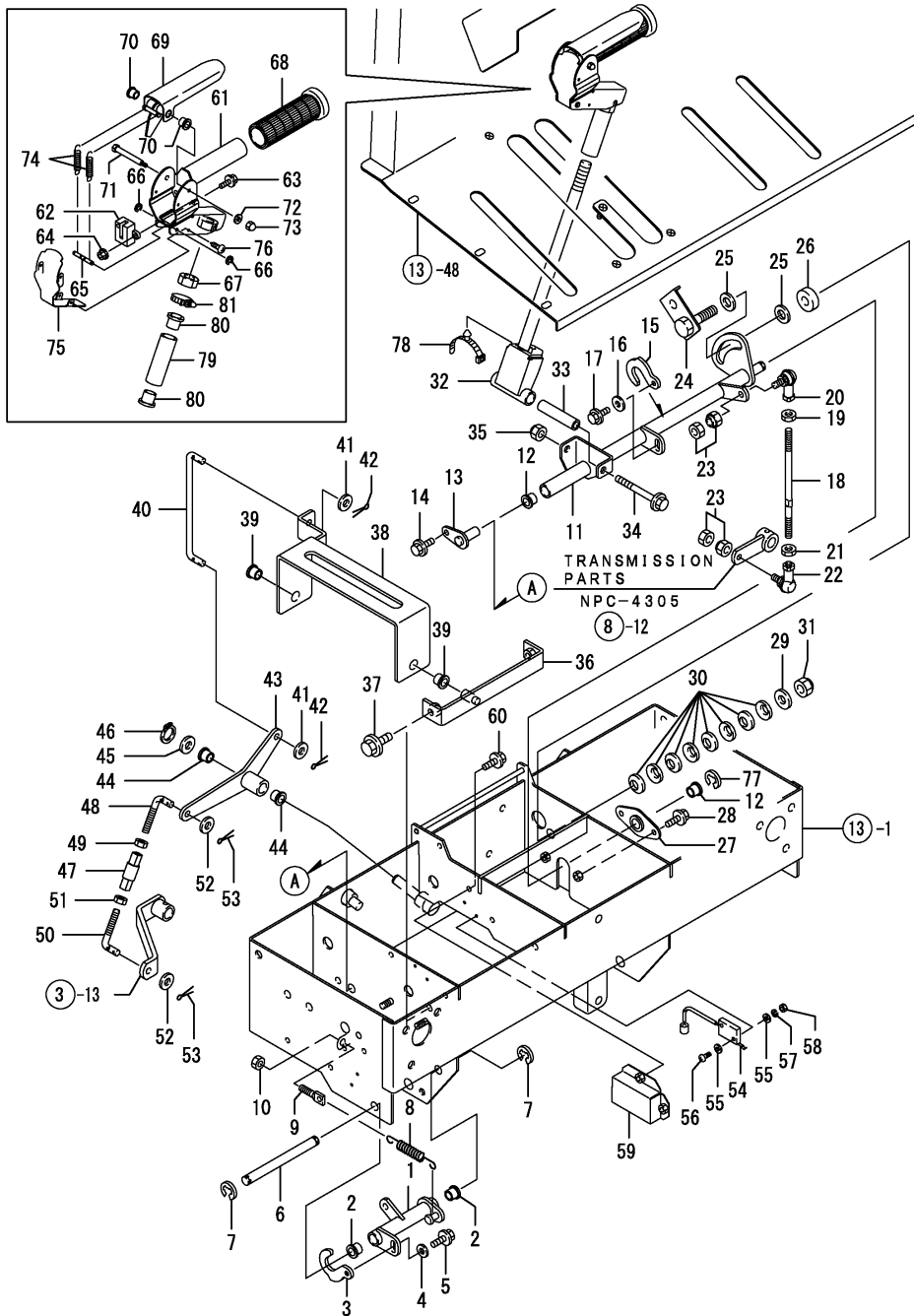
No.	Lev.	Parts No.	Description	Qty						I	R
				(A)	(B)	(C)	(D)	(E)	(F)		
1	1	1N3767-41000	ARM COMP.,LEVER	1							
2	1	1N1600-79290	BUSH 80F-1210,FLANGE	2							
3	1	1N3767-49020	CAM A,SWITCH	1							
4	1	22137-060000	WASHER, 6	1							
5	1	26106-060122	BOLT, M6X 12 PLATED	1							
6	1	1N3767-39020	PIN 12X130	1							
7	1	22272-000090	RING, E- 9	2							
8	1	1N1600-83690	COIL SPRING 10X118	1							
9	1	1N1600-84280	ROD,TENSION	1							
10	1	26717-080002	NUT, M8	2							
11	1	1N3767-51000	BOSS COMP.,CHG.LEVER	1							
12	1	1N1600-79290	BUSH 80F-1210,FLANGE	2							
13	1	1N3347-45000	PIN 30 COMPL.,LEVER	1							
14	1	26106-060122	BOLT, M6X 12 PLATED	1							
15	1	1N3767-49020	CAM A,SWITCH	1							
16	1	22157-060000	WASHER, 6	1							
17	1	26106-060122	BOLT, M6X 12 PLATED	1							
18	1	1N1600-84260	ROD A,MAIN CHANGE	1							
19	1	26367-080002	NUT, M8	1							
20	1	1N1600-83640	BALL BL8D,LINK	1							
21	1	1N1600-83070	NUT 8,L.H. SCREW	1							
22	1	1N1600-83650	BALL BL8DL,LINK	1							
23	1	1N1600-78910	NUT M8,HARD LOCK	2							
24	1	1N3767-55000	BOLT COMP.,TENSION	1							
25	1	1N1600-84560	WASHER 80W-12	2							
26	1	1N3767-29040	COLLAR, FRICTION	1							
27	1	1N3767-52000	HOUSING COMP.	1							
28	1	26106-060122	BOLT, M6X 12 PLATED	2							
29	1	22137-120000	WASHER, 12	1							
30	1	1N1600-84340	SPRING L12,BELLEVIL.	8							
31	1	1N1600-84320	U-NUT M12X1.25	1							
32	1	1N3767-57000	LEVER COMPL.,CHANGE	1							
33	1	1N1600-83610	COLLAR 9X63.5	1							
34	1	26106-080802	BOLT, M8X 80 PLATED	1							
35	1	1N1600-74790	U-NUT 8	1							
36	1	1N3767-23000	BRACKET,MAIN CHANGE	1							
37	1	26106-080162	BOLT, M8X 16 PLATED	2							
38	1	1N3767-56000	ARM ,CHANGE LEVER	1							
39	1	1N1600-79290	BUSH 80F-1210,FLANGE	1							
40	1	1N3767-59040	ROD B,SUB-CHANGE	1							
41	1	22137-080000	WASHER, 8	2							
42	1	22417-250160	PIN, COTTER 2.5X16	2							
43	1	1N3767-54000	CAM COMP.,SUB-CHANGE	1							
44	1	1N1600-79290	BUSH 80F-1210,FLANGE	2							
45	1	22137-120000	WASHER, 12	1							
46	1	22242-000120	RING, 12	1							
47	1	1N3157-59050	LINK 100	1							
48	1	1N3227-59030	ROD B,SUB-CHANGE	1							
49	1	1N1600-83070	NUT 8,L.H. SCREW	1							
50	1	1N3167-59071	ROD 120	1							
51	1	26367-080002	NUT, M8	1							

N:Old  $\xrightarrow{\text{Yes}}$  New, Q:Old  $\xrightarrow{\text{No}}$  New, R:Old  $\xrightarrow{\text{Yes}}$  New, S:Old  $\xrightarrow{\text{No}}$  New, W:Add, Z:Discontinued, F:Interchangeable by set, K:Q'ty Change

++ CONTINUE ++

Copyright (C) YANMAR CO., LTD. All Rights Reserved.

Fig.14. CONTROL LEVER(1)



(A)=YSR2730

(B)=

(C)=

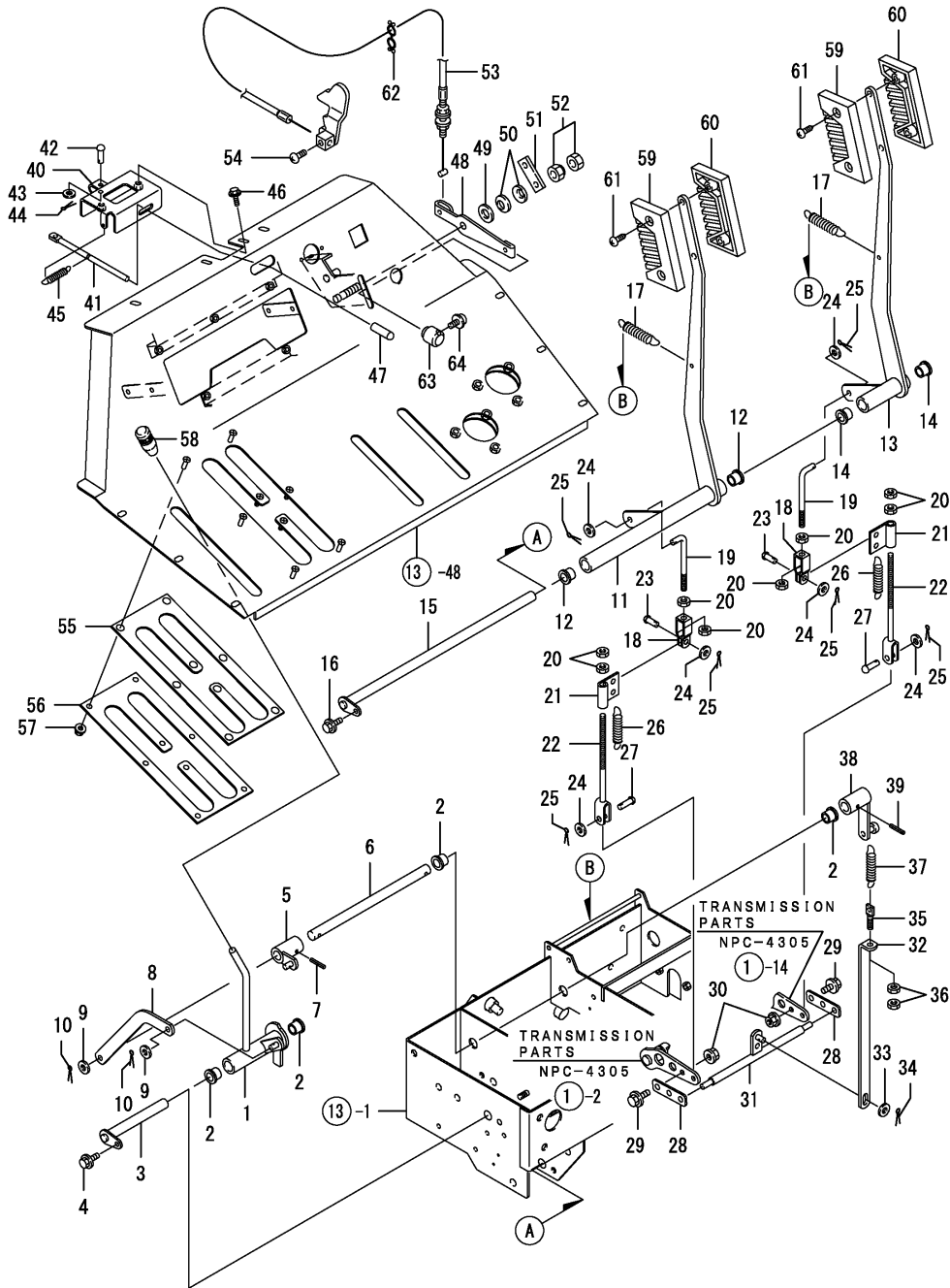
(D)=

(E)=

(F)=

No.	Lev.	Parts No.	Description	Qty						I	R
				(A)	(B)	(C)	(D)	(E)	(F)		
52	1	22137-080000	WASHER, 8	2							
53	1	22417-250160	PIN, COTTER 2.5X16	2							
54	1	1N3198-31000	SWITCH,CHUTE SWING	1							
55	1	22137-030000	WASHER, 3	4							
56	1	26557-030202	SCREW, M3X20	2							
57	1	22217-030000	WASHER, SPRING 3	2							
58	1	26717-030002	NUT, M3	2							
59	1	1N3767-82000	COVER B COMP., SWIT.	1							
60	1	26106-060122	BOLT, M6X 12 PLATED	2							
61	1	1N3767-37000	GRIP COMP.,HST LEVER	1							
62	1	1N3768-33000	SWITCH,LEAD	1							
63	1	26106-050162	BOLT, M5X 16 PLATED	2							
64	1	26367-050002	NUT, M5	2							
65	1	1N3767-39040	HOLDER,SPRING	1							
66	1	22272-000030	RING, E- 3	2							
67	1	26607-140002	NUT M14	1							
68	1	1N3767-39050	GRIP 34,HANDLE	1							
69	1	1N3767-35000	LEVER COMP.,HST CLU.	1							
70	1	1N1600-84500	BUSH 80F-0606,FLANGE	2							
71	1	1N3767-39030	PIN,CLUTCH	1							
72	1	22137-040000	WASHER, 4	1							
73	1	1N1600-84600	NUT,CAP 4	1							
74	1	1N3767-29030	SPRING,CLUTCH	2							
75	1	1N3767-85000	COVER COMP.,CLUTCH	1							
76	1	1N1600-84310	SCREW M3X 6	4							
77	1	22272-000090	RING, E- 9	1							
78	1	1N1600-81590	CLIP 1-19P7,CABLE	1							
79	1	1N3767-59020	SUPPORT,PIPE	1							
80	1	1N1600-84520	BUSH 80F-1415,FLANGE	1							
81	1	1N1600-84380	BAND 15,UNIVERSAL	1							

Fig.15. CONTROL LEVER(2)



(A)=YSR2730

(B)=

(C)=

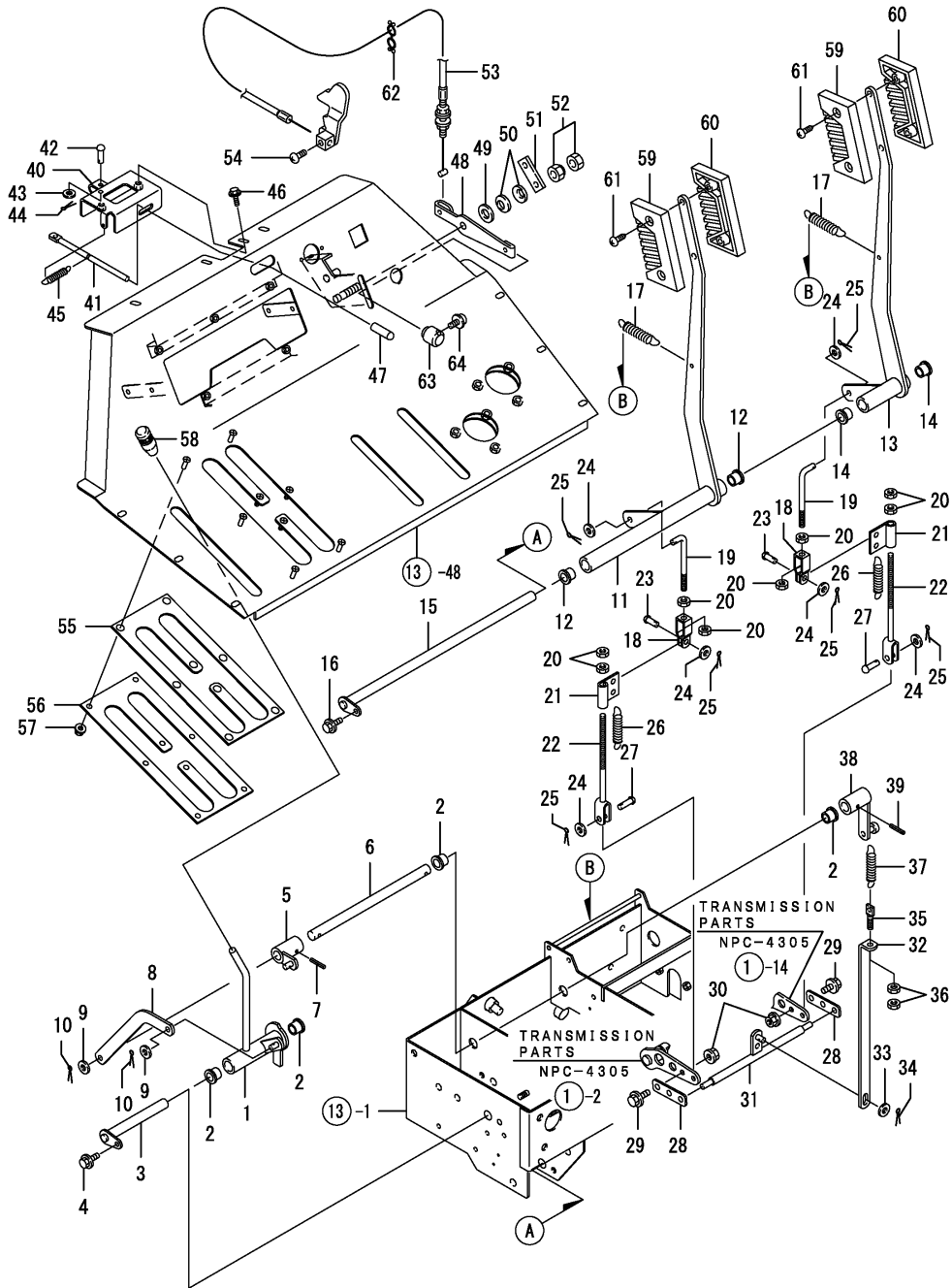
(D)=

(E)=

(F)=

No.	Lev.	Parts No.	Description	Qty						I	R
				(A)	(B)	(C)	(D)	(E)	(F)		
1	1	1N3767-61000	LEVER COMP.,PARK.BR.	1							
2	1	1N1600-83660	BUSH 80F-1512,FLANGE	4							
3	1	1N3767-62000	PIN 132 COMP.,LEVER	1							
4	1	26106-060122	BOLT, M6X 12 PLATED	1							
5	1	1N3767-64000	ARM B COMP.,COUNTER	1							
6	1	1N3767-69050	SHAFT,BRAKE COUNTER	1							
7	1	22351-050028	PIN, SPRING 5.0X28	1							
8	1	1N3767-69060	ARM,BRAKE LINK	1							
9	1	22137-080000	WASHER, 8	2							
10	1	22417-250160	PIN, COTTER 2.5X16	2							
11	1	1N3767-32000	LEVER L CMP,SD.CLTCH	1							
12	1	1N1600-83660	BUSH 80F-1512,FLANGE	2							
13	1	1N3767-33000	LEVER R CMP,SD.CLTCH	1							
14	1	1N1600-83660	BUSH 80F-1512,FLANGE	2							
15	1	1N3767-34000	PIN 410 COMP.,LEVER	1							
16	1	26106-060122	BOLT, M6X 12 PLATED	1							
17	1	1N1599-16040	SPRING 16.5X125,COIL	2							
18	1	1N3077-39030	JOINT A	2							
19	1	1N1600-83980	ROD C,SUB-CHANGE	2							
20	1	26717-080002	NUT, M8	8							
21	1	1N3747-39040	HOLDER,SIDE CLUTCH	2							
22	1	1N3737-66000	ROD COMP.,SD.CLTCH	2							
23	1	1N1600-79380	PIN 8X22,ROUND HEAD	2							
24	1	22137-080000	WASHER, 8	6							
25	1	22417-250160	PIN, COTTER 2.5X16	6							
26	1	1N3229-16010	SPRING,SIDE CLUTCH	2							
27	1	1N1600-79550	PIN 8X25,ROUND HEAD	2							
28	1	1N3737-69030	PLATE,BRAKE ARM	2							
29	1	26106-080162	BOLT, M8X 16 PLATED	2							
30	1	26367-080002	NUT, M8	2							
31	1	1N3737-65000	PIN COMP.,BRAKE	1							
32	1	1N3767-69040	BAR,BRAKE LINK	1							
33	1	22137-080000	WASHER, 8	1							
34	1	22417-250160	PIN, COTTER 2.5X16	1							
35	1	1N1600-84280	ROD,TENSION	1							
36	1	26717-080002	NUT, M8	2							
37	1	1N1610-70160	SPRING,TEN.CLUTCH	1							
38	1	1N3767-63000	ARM A COMP.,COUNTER	1							
39	1	22351-050028	PIN, SPRING 5.0X28	1							
40	1	1N3767-58000	HOLDER COMP.,BONNET	1							
41	1	1N3767-59010	LEVER,BONNET OPEN	1							
42	1	1N1600-84610	PIN 6X25,ROUND HEAD	1							
43	1	22137-060000	WASHER, 6	1							
44	1	22417-200120	COTTER PIN 2.0X12	1							
45	1	1N1600-73160	COIL SPRING 12.5X50	1							
46	1	26106-060162	BOLT, M6X 16 PLATED	2							
47	1	1N1600-84570	GRIP J8,LEVER	1							
48	1	1N3247-59050	THROTTLE LEVER	1							
49	1	22157-080000	WASHER, 8	1							
50	1	1N1600-77060	SPRING H8,BELLEVILLE	2							
51	1	1N3247-59060	PLATE, THRUST	1							

Fig.15. CONTROL LEVER(2)



(A)=YSR2730

(B)=

(C)=

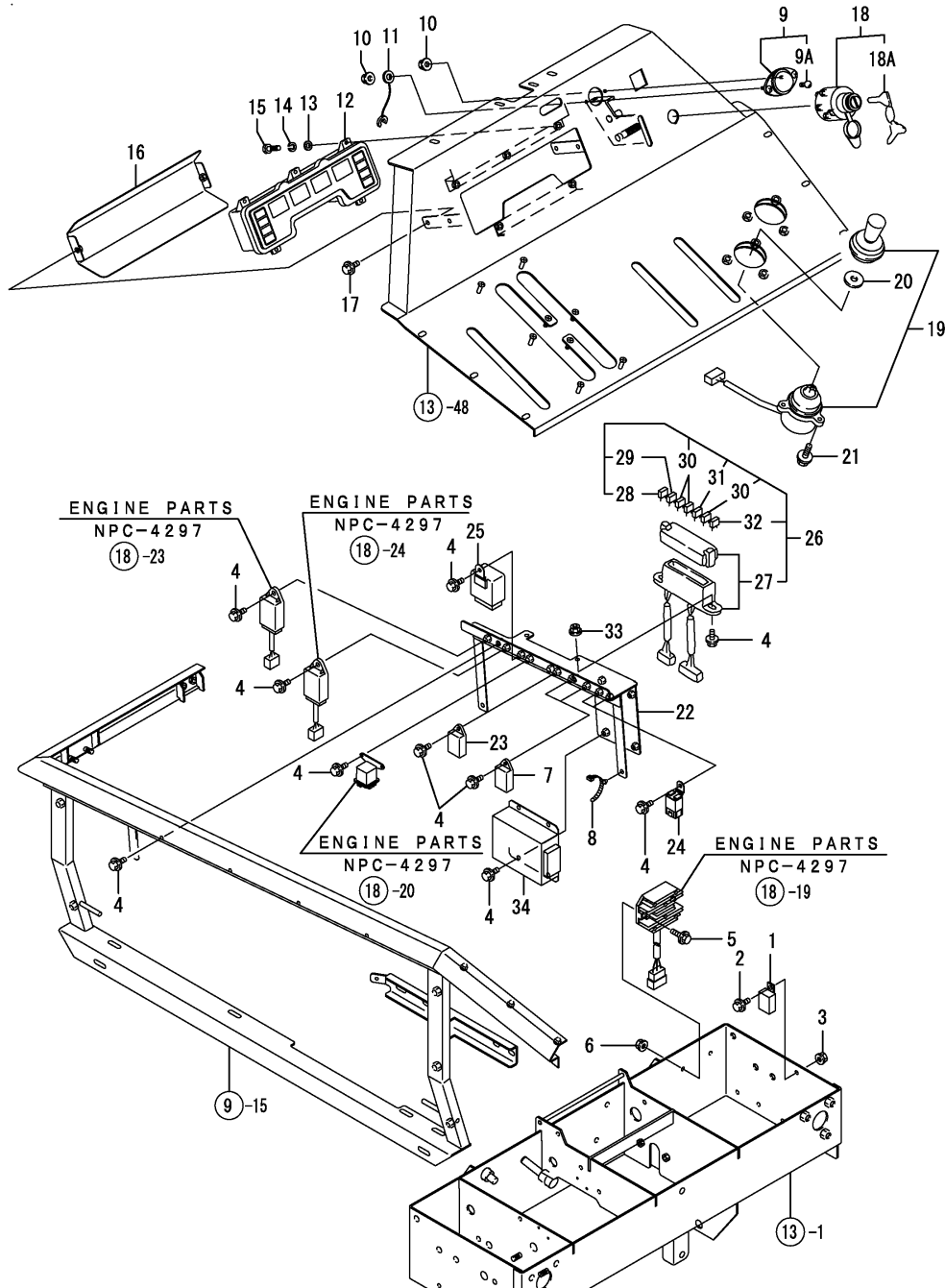
(D)=

(E)=

(F)=

No.	Lev.	Parts No.	Description	Q'ty						I	R
				(A)	(B)	(C)	(D)	(E)	(F)		
52	1	1N1600-78910	NUT M8,HARD LOCK	1							
53	1	1N3737-72000	THROTTLE WIRE	1							
54	1	26022-040102	SCREW M 4X 10	1							
55	1	1N3497-59010	GUIDE,CHANGE LEVER	1							
56	1	1N3497-59020	CLAMP,LEVER GUIDE	1							
57	1	26367-060002	NUT, M6	8							
58	1	1N3077-69020	GRIP,CONT.LEVER RED	1							
59	1	1N3247-69030	GRIP A,CLUTCH LEVER	2							
60	1	1N3247-69040	GRIP B,CLUTCH LEVER	2							
61	1	1N3077-69060	SCREW M4X20	4							
62	1	1N1600-84370	LOCK, PURSE 2-0058	1							
63	1	1N3247-59070	KNOB,THROTTLE LEVER	1							
64	1	1N3247-59080	SCREW M4X8,SPECIAL	1							

Fig.16. ELECTRICAL PARTS(1)



(A)=YSR2730

(B)=

(C)=

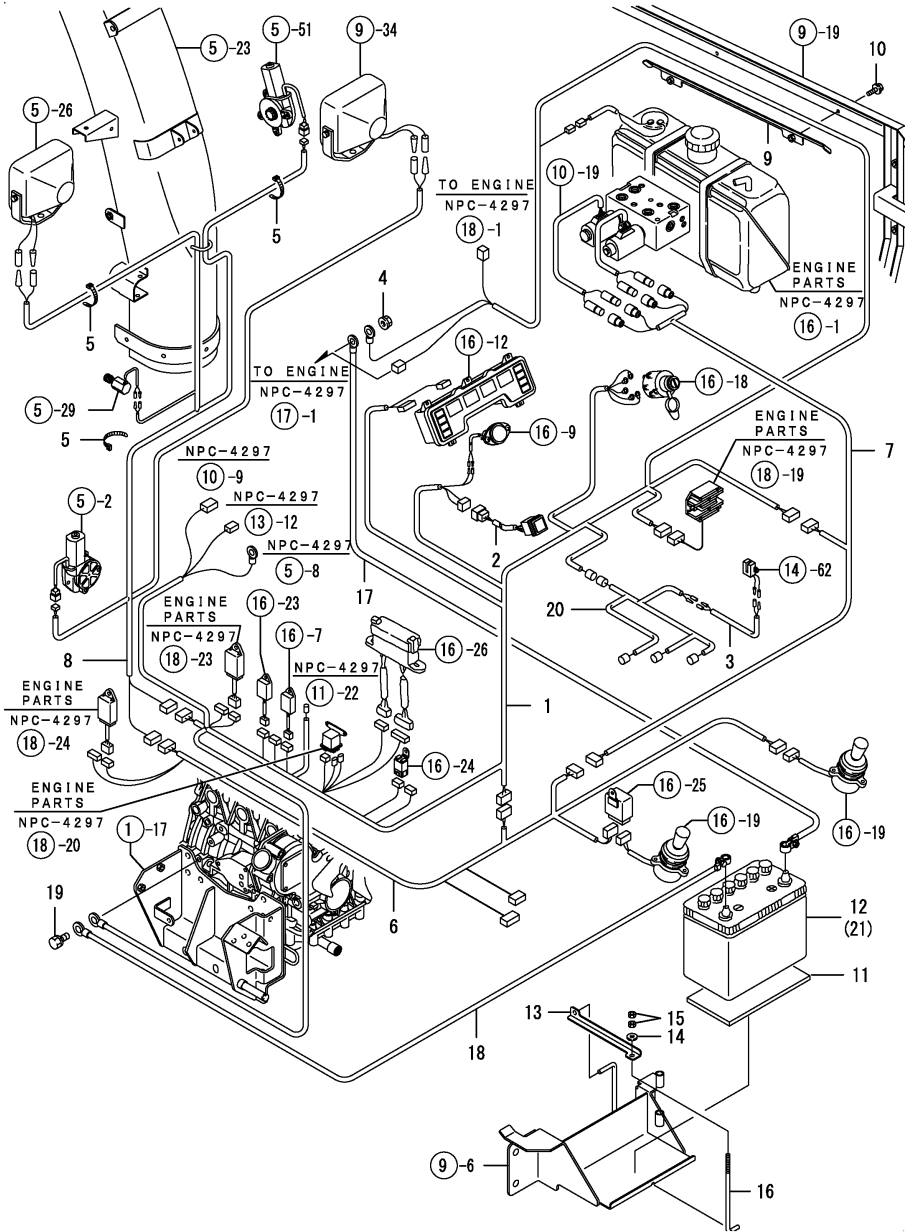
(D)=

(E)=

(F)=

No.	Lev.	Parts No.	Description	Qty						I	R
				(A)	(B)	(C)	(D)	(E)	(F)		
1	1	1N3248-43000	BOX,SOLENOID	1							
2	1	26106-060162	BOLT, M6X 16 PLATED	1							
3	1	26367-060002	NUT, M6	1							
4	1	26106-060122	BOLT, M6X 12 PLATED	18							
5	1	26106-060252	BOLT, M6X 25 PLATED	2							
6	1	26367-060002	NUT, M6	2							
7	1	1N3768-42000	RELAY,MOTOR	2							
8	1	1N1600-79020	STRAP 1-1W02,CABLE	2							
9	1	1N3158-31000	LIGHT,PANEL	1							
9A	2	1N3158-31200	BULB 12V10W	1							
10	1	26367-040002	NUT, M4	2							
11	1	1N3248-73000	CORD, EARTH	1							
12	1	1N3748-31000	COMBINATION METER	1							
13	1	22137-040000	WASHER, 4	5							
14	1	22217-040000	WASHER, SPRING 4	5							
15	1	26117-040162	BOLT, M4X 16 PLATED	5							
16	1	1N3738-81000	COVER COMP.,METER	1							
17	1	26106-060122	BOLT, M6X 12 PLATED	2							
18	1	1N1868-31000	SWITCH,MAIN	1							
18A	2	123482-91291	KEY	2							
19	1	1N3248-32000	SWITCH	2							
20	1	1N1600-82760	WASHER 11X32X4.5.RD.	2							
21	1	26106-060202	BOLT, M6X 20 PLATED	6							
22	1	1N3738-62000	BRACKET COMP.,RELAY	1							
23	1	1N1600-82730	RELAY,C	1							
24	1	1N3248-45000	RELAY,NO.	2							
25	1	1N3248-42000	BOX,SHOOTER	1							
26	1	1N3748-00010	BOX, FUSE	1							
27	2	1N3248-91000	BOX, FUSE	1							
28	2	1N1600-78550	FUSE 3A,BLADE	1							
29	2	1N1600-78560	FUSE 5A,BLADE	1							
30	2	1N1600-78570	FUSE 10A,BLADE	3							
31	2	1N1600-82660	FUSE 25A,BLADE	1							
32	2	1N1600-78580	FUSE 30A,BLADE	1							
33	1	26367-060002	NUT, M6	2							
34	1	1N3748-41000	BOX,CONTROL	1							

Fig.17. ELECTRICAL PARTS(2)



(A)=YSR2730

(B)=

(C)=

(D)=

(E)=

(F)=

No.	Lev.	Parts No.	Description	Q'ty						I	R
				(A)	(B)	(C)	(D)	(E)	(F)		
1	1	1N3768-51000	HARNES, MAIN	1							
2	1	1N3748-32000	SWITCH,LIGHT	1							
3	1	1N3768-56000	HARNES,LEVER	1							
4	1	26367-080002	NUT, M8	1							
5	1	1N1600-77210	TIE RF140,REPEAT	3							
6	1	1N3738-52000	HARNES,CHUTE	1							
7	1	1N3748-53000	HARNES,HYDRAULIC	1							
8	1	1N3748-54001	HARNES,CHUTE LIGHT	1							
9	1	1N3768-23000	STAY COMP.,HARNES	1							
10	1	26106-060122	BOLT, M6X 12 PLATED	2							
11	1	1N3078-99010	RUBBER, CUSHION	1							
12	1	1N1600-81580	BATTERY 55B24L	1							1
13	1	1N3498-69010	CLAMP,BATTERY	1							
14	1	22157-060000	WASHER, 6	1							
15	1	26717-060002	NUT, M6	2							
16	1	1N3348-69020	BOLT,BATTERY SET	1							
17	1	1N3228-71001	CORD,BATTERY POSITV.	1							
18	1	1N3228-72000	CORD,BATTERY NEGATV.	1							
19	1	26013-120202	BOLT, M12X 20	1							
20	1	1N3768-55000	HARNES,TRAVEL	1							
21	1	1N1600-84620	BATTERY 55B24L, DRY	1							2

Remarks

- (1)PARTS OF DOMESTIC SPECIFICATION
- (2)PARTS OF OVERSEAS SPECIFICATION

Fig.18. LABELS & ACCESSORIES

(A)=YSR2730

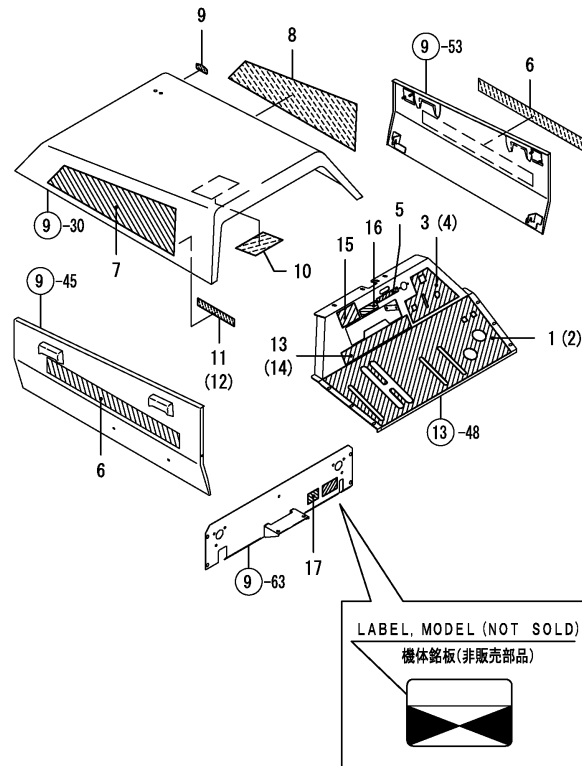
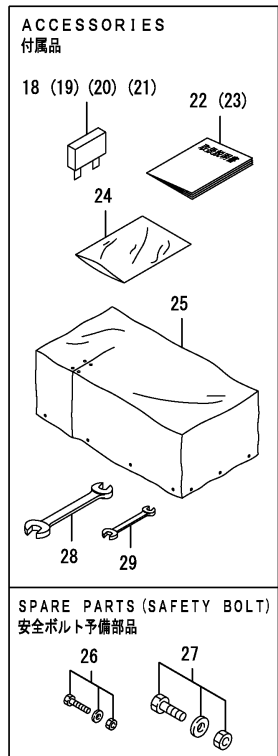
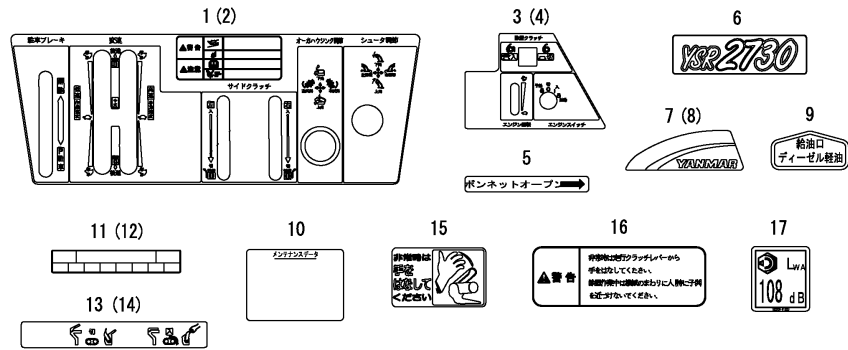
(B)=

(C)=

(D)=

(E)=

(F)=



No.	Lev.	Parts No.	Description	Qty						I	R
				(A)	(B)	(C)	(D)	(E)	(F)		
1	1	1N3747-99011	MARK,PANEL	1							1
2	1	1N3747-99210	MARK,PANEL	1							2
3	1	1N3757-99020	MARK,INDICATOR PANEL	1							1
4	1	1N3747-99220	MARK,INDICATOR PANEL	1							2
5	1	1N3247-99100	MARK,BONNET OPEN	1							1
6	1	1N3747-99110	MARK,SIDE	2							
7	1	1N3737-99120	MARK L,BONNET	1							
8	1	1N3737-99130	MARK R,BONNET	1							
9	1	1N3247-99110	MARK,OIL FILLER	1							1
10	1	1N3747-99050	MARK,MAINTENANCE	1							1
11	1	1N3747-99060	MARK,RELAY & FUSE	1							1
12	1	1N3747-99260	MARK,RELAY & FUSE	1							2
13	1	1N3767-99040	MARK,TRAVEL CLUTCH	1							1
14	1	1N3767-99240	MARK,TRAVEL CLUTCH	1							2
15	1	1N3767-99050	MARK,TRAVEL	1							1
16	1	1N1600-84300	LABEL,CAUTI.TRA.CLU.	1							1
17	1	1N3320-91320	LABEL,SOUND	1							2
18	1	1N1600-78550	FUSE 3A,BLADE	1							
19	1	1N1600-78560	FUSE 5A,BLADE	1							
20	1	1N1600-78570	FUSE 10A,BLADE	1							
21	1	1N1600-78580	FUSE 30A,BLADE	1							
22	1	1N3749-19010	OPERATORS MANUAL,	1							1
23	1	1N3769-19060	OPERATORS MANUAL,	1							2
24	1	1N1600-79340	BAG, VINYL	1							
25	1	1N3249-81000	COVER,OPR'S SEAT	1							
26	1	1N3249-00010	BOLT 6X25	1							
27	1	1N3249-00020	BOLT 10X30 ASSY,SHE.	2							
28	1	1N3229-19050	WRENCH 17,COMBINATI.	1							
29	1	1N3769-19050	WRENCH 10,COMBINATI.	1							

Remarks

- (1)PARTS OF DOMESTIC SPECIFICATION
- (2)PARTS OF OVERSEAS SPECIFICATION



Fig.19. LABELS(SAFETY)

(A)=YSR2730

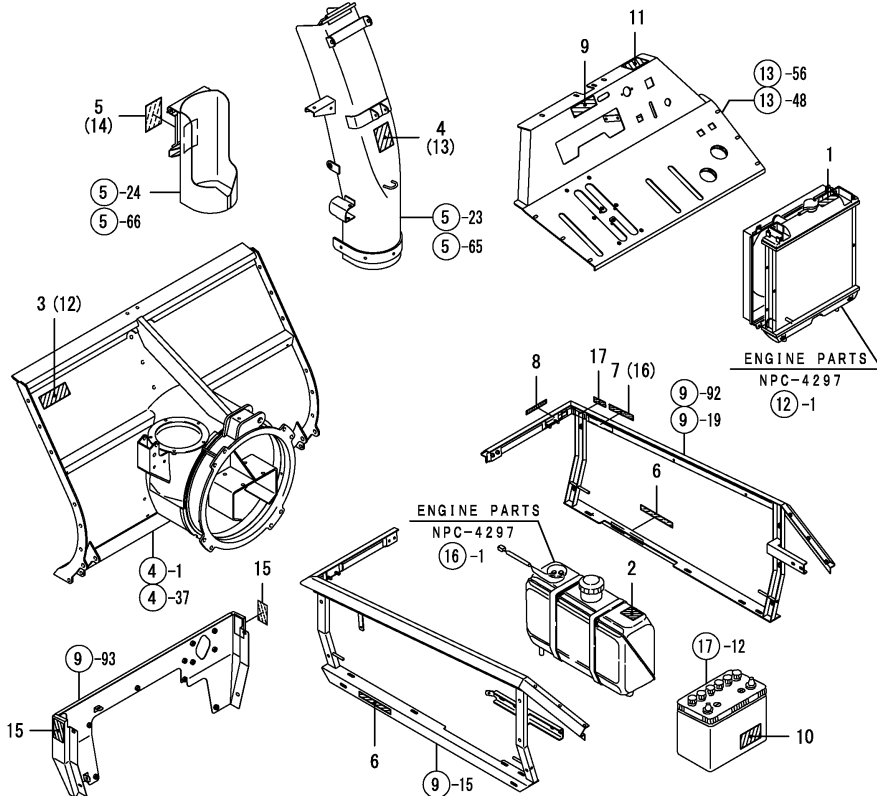
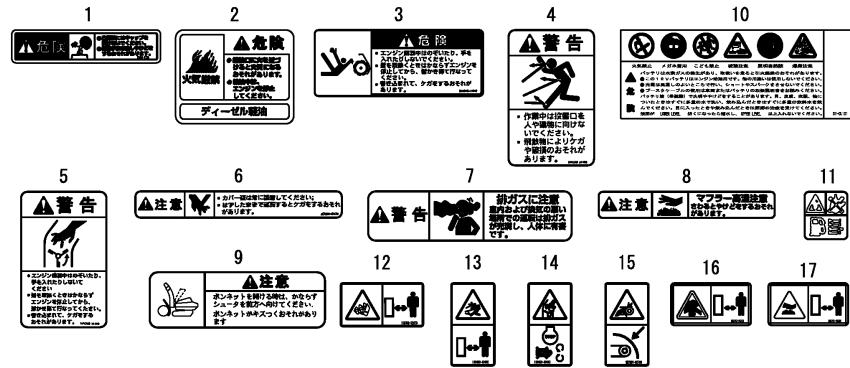
(B)=

(C)=

(D)=

(E)=

(F)=



No.	Lev.	Parts No.	Description	Q'ty						I	R
				(A)	(B)	(C)	(D)	(E)	(F)		
1	1	1E8500-97220	LABEL, RADIATOR	1							1
2	1	1D1831-91200	DANGER,NO FIRE	1							1
3	1	1N1723-91010	DANGER,SNW.REMV.UNIT	1							1
4	1	1N1723-91100	WARNING,SCATTERINGS	1							1
5	1	1N1723-91110	WARNING,SHOOTER	1							1
6	1	1E8500-97470	LABEL, CAUTION	2							1
7	1	1N1723-91140	WARNING,EXH.GAS SIDE	1							1
8	1	1E5120-86720	LABEL, CAUTION	1							1
9	1	1N3747-99070	LABEL,BONNET CAUTION	1							1
10	1	1N1600-78390	LABEL,BATTERY DANGER	1							1
11	1	1A6150-91251	LABEL,RAKE CAUTION	1							2
12	1	1N3390-92670	LABEL,DANGER	1							2
13	1	1N3390-92690	LABEL,WARNING	1							2
14	1	1N3390-92680	LABEL,WARNING	1							2
15	1	1N3390-92700	LABEL,CAUTION	2							2
16	1	1N3767-99270	WARNING,EXH.GAS	1							2
17	1	1N3767-99280	CAUTION,MUFFLER	1							2

Remarks  
 (1)PARTS OF DOMESTIC SPECIFICATION  
 (2)PARTS OF OVERSEAS SPECIFICATION

## Parts No. Index

Parts No.	Fig. No.	Ref. No.
123482-91291	16	18 A
1A6150-91251	19	11
1D1831-91200	19	2
1E5120-86720	19	8
1E8500-97220	19	1
1E8500-97470	19	6
1N1599-16040	15	17
1N1600-71960	6	28
1N1600-72000	6	30
		51
	7	16
1N1600-72040	6	9
1N1600-72080	8	11
		22
1N1600-72130	6	18
1N1600-72230	9	40
	12	38
1N1600-73160	15	45
1N1600-73590	6	23
		34
		41
		54
1N1600-74140	9	31
1N1600-74330	1	45
	2	45
	5	7
	9	18
	10	33
		42
1N1600-74340	10	2
1N1600-74380	10	7
		15
1N1600-74650	7	8
1N1600-74660	10	12
1N1600-74670	10	4
1N1600-74790	11	69
	14	35
1N1600-74890	7	20
1N1600-75020	10	3
		11
1N1600-75140	1	34
1N1600-75150	4	6
	5	13
	8	25
		38
1N1600-75810	8	53
1N1600-75820	8	54
1N1600-75830	4	11
1N1600-77060	15	50
1N1600-77080	3	45

Parts No.	Fig. No.	Ref. No.
1N1600-77080	3	51
1N1600-77210	2	44
	5	43
	10	18
		30
		38
		41
	11	49
	17	5
1N1600-77310	1	5
	10	27
		36
1N1600-77650	6	24
1N1600-77670	9	25
1N1600-77730	6	48
1N1600-78390	19	10
1N1600-78440	12	4
1N1600-78550	16	28
	18	18
1N1600-78560	16	29
	18	19
1N1600-78570	16	30
	18	20
1N1600-78580	16	32
	18	21
1N1600-78790	3	52
1N1600-78830	7	4
1N1600-78870	3	72
1N1600-78880	3	73
1N1600-78890	6	2
1N1600-78910	14	23
	15	52
1N1600-78920	6	60
1N1600-78940	3	22
		30
1N1600-78970	11	36
		45
	12	28
1N1600-78980	8	28
		41
1N1600-78990	11	13
1N1600-79020	9	17
		27
	16	8
1N1600-79080	10	23
1N1600-79090	10	32
1N1600-79250	12	5
1N1600-79290	5	57
	14	2
		12

Parts No.	Fig. No.	Ref. No.
1N1600-79290	14	39
		44
1N1600-79300	7	3
1N1600-79310	8	24
		37
1N1600-79320	8	3
		14
1N1600-79340	18	24
1N1600-79380	12	39
	15	23
1N1600-79400	7	15
1N1600-79480	9	9
1N1600-79550	15	27
1N1600-79590	1	10
1N1600-79700	11	15
1N1600-80570	11	16
1N1600-81430	5	54
1N1600-81440	5	25
1N1600-81450	5	60
1N1600-81460	5	53
1N1600-81470	5	63
1N1600-81480	5	16
1N1600-81490	5	52
1N1600-81550	10	31
1N1600-81580	17	12
1N1600-81590	1	2
		24
		55
	2	46
	9	3
		32
		75
		78
		81
	10	43
	12	36
	13	47
		54
	14	78
1N1600-81860	11	63
1N1600-81890	1	52
1N1600-82640	9	88
1N1600-82660	16	31
1N1600-82730	16	23
1N1600-82760	16	20
1N1600-82910	11	25
1N1600-82930	4	9
1N1600-83070	13	31
	14	21
		49

Parts No.	Fig. No.	Ref. No.
1N1600-83250	3	20
		28
1N1600-83310	11	64
1N1600-83610	14	33
1N1600-83640	14	20
1N1600-83650	14	22
1N1600-83660	15	2
		12
		14
1N1600-83690	14	8
1N1600-83710	13	8
1N1600-83830	5	14
1N1600-83980	15	19
1N1600-83990	5	26
1N1600-84140	11	23
1N1600-84150	4	4
1N1600-84220	11	62
1N1600-84240	7	13
1N1600-84250	7	18
1N1600-84260	14	18
1N1600-84270	13	29
1N1600-84280	14	9
	15	35
1N1600-84290	11	42
1N1600-84300	18	16
1N1600-84310	14	76
1N1600-84320	14	31
1N1600-84330	3	24
		32
1N1600-84340	14	30
1N1600-84350	5	34
1N1600-84360	13	46
1N1600-84370	15	62
1N1600-84380	14	81
1N1600-84400	5	44
1N1600-84410	10	29
1N1600-84420	10	28
1N1600-84430	1	7
1N1600-84440	10	34
1N1600-84450	10	37
1N1600-84460	10	25
1N1600-84470	1	6
1N1600-84480	11	61
1N1600-84490	11	31
		40
1N1600-84500	14	70
1N1600-84510	13	5
1N1600-84520	14	80
1N1600-84530	11	52
		56

## Parts No. Index

Parts No.	Fig. No.	Ref. No.
1N1600-84540	11	30
		39
1N1600-84550	12	27
1N1600-84560	14	25
1N1600-84570	15	47
1N1600-84590	9	23
1N1600-84600	14	73
1N1600-84610	15	42
1N1600-84620	17	21
1N1600-84640	4	37
1N1600-84650	5	65
1N1600-84670	5	66
1N1600-84680	9	92
1N1600-84710	9	93
1N1600-84720	13	56
1N1600-84730	1	49
1N1600-84740	5	8
1N1600-84750	10	24
1N1600-85450	8	10 -1
		21 -1
1N1610-70020	6	39
1N1610-70030	6	20
1N1610-70040	6	53
1N1610-70070	6	44
1N1610-70100	6	8
1N1610-70110	6	15
1N1610-70131	5	10
1N1610-70160	15	37
1N1610-70210	6	3
1N1610-70220	6	4
1N1619-16010	11	35
		44
1N1629-17010	13	9
1N1633-19041	6	21
1N1633-19130	6	57
1N1633-29070	6	12
1N1633-29080	6	13
1N1633-29090	6	19
1N1633-59010	7	2
	8	2
		5
		13
		16
		50
		52
1N1633-59030	8	31
		44
1N1636-59010	11	33
1N1639-19260	8	55

Parts No.	Fig. No.	Ref. No.
1N1639-19260	8	56
1N1673-16000	6	26
1N1673-19010	4	7
1N1673-19080	6	31
1N1673-19090	6	32
1N1673-19110	6	7
1N1673-39010	5	17
1N1673-51001	8	49
1N1673-52001	8	51
1N1675-19010	1	16
1N1679-19110	6	14
1N1682-39010	3	76
1N1683-13000	4	12
1N1689-14010	4	13
1N1689-14020	4	17
1N1689-19010	6	36
1N1689-19020	6	35
1N1710-71072	9	52
1N1723-91010	19	3
1N1723-91100	19	4
1N1723-91110	19	5
1N1723-91140	19	7
1N1763-19060	6	42
1N1763-29050	6	49
1N1763-29070	6	10
1N1803-99020	9	49
1N1808-31000	5	29
1N1853-49010	6	16
1N1863-19010	6	58
1N1863-55000	8	4
		15
1N1868-31000	16	18
1N1886-79020	1	13
1N3068-12000	5	28
1N3073-69010	7	12
1N3074-19030	3	2
1N3077-39030	15	18
1N3077-69020	15	58
1N3077-69060	15	61
1N3078-99010	17	11
1N3102-15001	3	61
1N3102-49020	3	36
1N3102-61000	3	53
1N3103-61000	7	1
1N3103-62000	7	5
1N3153-32000	5	12
1N3157-59050	14	47
1N3158-31000	16	9
1N3158-31200	16	9 A
1N3163-39040	5	46

Parts No.	Fig. No.	Ref. No.
1N3163-39051	5	15
1N3163-39080	5	47
1N3163-42000	5	48
1N3163-89050	5	49
1N3163-89080	5	50
1N3167-59071	14	50
1N3198-31000	12	30
	13	22
		36
	14	54
1N3227-54000	3	13
1N3227-59030	14	48
1N3228-71001	17	17
1N3228-72000	17	18
1N3229-16010	15	26
1N3229-19050	18	28
1N3240-29060	1	30
1N3242-11001	3	17
1N3242-14001	3	43
1N3242-15000	3	21
		29
1N3242-19050	3	18
	13	55
1N3242-39010	3	64
1N3242-49011	3	44
1N3242-49020	3	49
1N3242-49030	3	54
1N3242-61000	3	48
		67
1N3242-69010	3	35
1N3243-14000	4	32
1N3243-19020	4	33
	9	37
1N3243-19030	4	34
1N3243-29010	6	47
1N3243-49010	6	27
1N3243-51000	8	27
		40
1N3244-00010	9	39
1N3244-87000	9	46
		54
1N3244-89010	9	21
1N3245-19010	10	21
1N3246-39020	11	14
1N3246-64000	12	1
1N3246-69010	12	7
1N3247-59050	15	48
1N3247-59060	15	51
1N3247-59070	15	63
1N3247-59080	15	64

Parts No.	Fig. No.	Ref. No.
1N3247-59130	3	12
		16
1N3247-69030	15	59
1N3247-69040	15	60
1N3247-99100	18	5
1N3247-99110	18	9
1N3248-32000	16	19
1N3248-33000	9	34
1N3248-33200	9	34 A
1N3248-42000	16	25
1N3248-43000	16	1
1N3248-45000	16	24
1N3248-73000	16	11
1N3248-91000	16	27
1N3249-00010	18	26
1N3249-00020	18	27
1N3249-16020	9	47
		55
1N3249-16030	9	41
1N3249-81000	18	25
1N3320-91320	18	17
1N3347-39090	13	18
1N3347-45000	14	13
1N3348-69020	17	16
1N3390-92670	19	12
1N3390-92680	19	14
1N3390-92690	19	13
1N3390-92700	19	15
1N3490-29020	11	3
1N3490-31000	1	40
1N3490-32000	1	41
1N3496-49020	11	18
1N3496-71000	11	19
1N3497-59010	15	55
1N3497-59020	15	56
1N3497-81000	13	41
1N3498-69010	17	13
1N3730-39060	1	53
1N3733-13000	5	1
1N3733-33000	5	32
1N3733-34000	5	33
1N3733-36000	5	38
1N3733-39010	5	18
1N3733-39020	5	37
1N3733-39030	5	39
1N3733-39040	5	41
1N3733-41000	5	9
1N3734-21000	9	67
1N3734-22000	9	69
1N3736-65000	12	23

## Parts No. Index

Parts No.	Fig. No.	Ref. No.
1N3736-66000	12	26
1N3736-69020	12	18
1N3736-69030	12	19
1N3736-89010	12	40
1N3737-65000	15	31
1N3737-66000	15	22
1N3737-69030	15	28
1N3737-72000	15	53
1N3737-99120	18	7
1N3737-99130	18	8
1N3738-11000	5	2
		51
	12	24
1N3738-52000	17	6
1N3738-62000	16	22
1N3738-81000	16	16
1N3740-21001	1	17
1N3740-22001	1	25
1N3740-23000	2	25
1N3740-25001	2	7
1N3740-26001	2	13
1N3740-29000	2	1
1N3740-29010	11	1
1N3740-29030	2	24
1N3740-29060	1	36
1N3740-29070	2	5
1N3740-33001	1	47
1N3740-39020	1	44
1N3740-39031	2	30
1N3740-39070	2	34
1N3740-41000	1	1
1N3740-42000	2	40
1N3740-83000	2	49
1N3740-84000	2	52
1N3740-85000	1	56
1N3740-89010	2	47
1N3740-89020	1	57
1N3740-89030	1	61
1N3740-89040	1	63
1N3741-69010	11	7
1N3742-12000	3	19
1N3742-13000	3	27
1N3742-14000	3	40
1N3742-19010	3	62
1N3742-19020	3	65
1N3742-69010	3	23
		31
1N3743-12000	6	1
1N3743-14000	4	26
1N3743-19010	4	20

Parts No.	Fig. No.	Ref. No.
1N3743-19020	4	23
1N3743-19040	4	27
1N3743-19050	4	16
1N3743-19060	4	18
1N3743-19070	4	3
1N3743-82000	5	5
1N3744-14001	9	6
1N3744-81001	9	30
1N3744-89010	9	71
1N3744-89030	9	76
1N3744-89040	9	79
1N3744-91001	9	24
1N3744-92001	9	28
1N3744-95001	9	82
1N3745-19010	10	22
1N3745-19020	1	15
1N3745-21000	10	19
1N3745-22000	10	44
1N3745-22100	10	44 A
1N3745-22200	10	44 B
1N3745-22300	10	44 C
1N3745-22910	10	44 D
1N3745-22920	10	44 E
1N3745-22930	10	44 F
1N3745-22940	10	44 G
1N3745-22950	10	44 H
1N3745-22960	10	44 J
1N3745-71000	10	35
1N3745-72000	10	26
1N3746-11001	11	10
1N3746-19010	11	47
1N3746-39010	7	19
1N3746-39020	11	6
1N3746-49011	11	12
1N3746-51000	11	51
1N3746-56000	11	65
1N3746-59010	11	57
1N3746-61000	12	3
1N3746-62000	11	29
1N3746-63000	11	38
1N3746-69010	11	60
1N3747-39040	15	21
1N3747-99011	18	1
1N3747-99050	18	10
1N3747-99060	18	11
1N3747-99070	19	9
1N3747-99110	18	6
1N3747-99210	18	2
1N3747-99220	18	4
1N3747-99260	18	12

Parts No.	Fig. No.	Ref. No.
1N3748-00010	16	26
1N3748-29020	13	51
1N3748-31000	16	12
1N3748-32000	17	2
1N3748-41000	16	34
1N3748-53000	17	7
1N3748-54001	17	8
1N3749-19010	18	22
1N3757-99020	18	3
1N3760-27000	1	8
1N3760-28000	1	29
1N3760-29040	2	21
1N3760-32000	2	15
1N3760-33000	2	17
1N3760-35000	1	43
1N3760-36000	1	33
		37
1N3760-39060	2	35
1N3760-39070	2	38
1N3760-39080	1	21
		38
		54
	2	43
1N3761-19010	2	31
1N3762-19010	3	71
1N3762-49010	3	69
1N3763-19010	6	55
1N3763-19020	6	56
1N3763-35000	5	36
1N3763-37000	5	45
1N3763-39020	5	55
1N3763-39030	5	56
1N3763-39040	5	58
1N3763-49010	6	16 -1
1N3763-51000	8	1
1N3763-52000	8	12
1N3763-53000	8	23
1N3763-54000	8	36
1N3764-11000	3	1
1N3764-12000	9	1
1N3764-13000	9	4
1N3764-21000	9	89
1N3764-82000	9	11
1N3764-83000	9	13
1N3764-84000	9	91
1N3764-87000	9	45
1N3764-88000	9	53
1N3764-89010	9	73
1N3764-93000	9	57
1N3764-94000	9	60

Parts No.	Fig. No.	Ref. No.
1N3764-96000	9	85
1N3764-97000	9	63
1N3765-00010	10	1
1N3765-00020	10	10
1N3765-11000	10	39
1N3766-51000	11	55
1N3766-53000	12	10
1N3766-59010	12	20
1N3767-22000	13	1
1N3767-23000	14	36
1N3767-24000	13	4
1N3767-29010	13	10
1N3767-29020	13	15
1N3767-29030	14	74
1N3767-29040	14	26
1N3767-31000	13	7
1N3767-32000	15	11
1N3767-33000	15	13
1N3767-34000	15	15
1N3767-35000	14	69
1N3767-36000	13	20
1N3767-37000	14	61
1N3767-39010	13	19
1N3767-39020	14	6
1N3767-39030	14	71
1N3767-39040	14	65
1N3767-39050	14	68
1N3767-41000	14	1
1N3767-45000	13	16
1N3767-46000	13	11
1N3767-49020	14	3
		15
1N3767-49030	13	17
1N3767-49040	13	30
1N3767-49050	13	32
1N3767-51000	14	11
1N3767-52000	14	27
1N3767-53000	3	9
1N3767-54000	14	43
1N3767-55000	14	24
1N3767-56000	14	38
1N3767-57000	14	32
1N3767-58000	15	40
1N3767-59010	15	41
1N3767-59020	14	79
1N3767-59040	14	40
1N3767-61000	15	1
1N3767-62000	15	3
1N3767-63000	15	38
1N3767-64000	15	5

## Parts No. Index

Parts No.	Fig. No.	Ref. No.
1N3767-68000	9	36
1N3767-69040	15	32
1N3767-69050	15	6
1N3767-69060	15	8
1N3767-71000	12	37
1N3767-82000	14	59
1N3767-83000	13	42
1N3767-84000	13	27
1N3767-85000	14	75
1N3767-99040	18	13
1N3767-99050	18	15
1N3767-99240	18	14
1N3767-99270	19	16
1N3767-99280	19	17
1N3768-23000	17	9
1N3768-29020	13	44
1N3768-29030	13	50
1N3768-33000	14	62
1N3768-42000	16	7
1N3768-51000	17	1
1N3768-55000	17	20
1N3768-56000	17	3
1N3769-19050	18	29
1N3769-19060	18	23
22137-030000	12	31
	13	23
		37
	14	55
22137-040000	14	72
	16	13
22137-060000	4	5
	8	26
		39
	14	4
	15	43
22137-080000	5	61
	9	44
	13	34
	14	41
		52
	15	9
		24
		33
22137-100000	13	13
22137-120000	1	19
		27
		31
	3	8
	11	68
	12	11

Parts No.	Fig. No.	Ref. No.
22137-120000	14	29
		45
22137-160000	3	58
	11	58
22137-200000	10	5
		8
		13
		16
	12	14
22157-060000	1	58
	9	42
		64
	14	16
	17	14
22157-080000	2	2
		11
		50
		53
	4	30
	9	58
		61
	11	20
	12	16
	15	49
22157-100000	9	7
	11	53
		66
	12	21
22217-030000	12	33
	13	25
		39
	14	57
22217-040000	16	14
22217-060000	8	33
		46
22217-080000	1	51
	8	9 -1
		20 -1
22217-100000	7	9
	8	6
		17
22217-120000	3	46
22217-160000	3	25
		33
		41
		59
		74
22242-000120	10	44 K
	12	13
	14	46

Parts No.	Fig. No.	Ref. No.
22242-000150	11	37
		46
	12	29
22242-000200	3	70
	11	32
		41
	12	15
22242-000250	12	9
22242-000280	6	50
22252-000300	8	29
		42
22252-000450	6	43
22252-000470	3	38
		56
22252-000520	6	52
	11	28
22252-000620	12	8
22252-000720	7	17
22272-000030	14	66
22272-000080	13	14
22272-000090	14	7
		77
22351-010045	8	9
		20
22351-030025	3	11
22351-035025	3	15
22351-045025	5	11
22351-050025	3	10
22351-050028	15	7
		39
22351-060016	6	40
22351-060025	3	14
	8	30
		43
22351-060045	8	10
		21
22372-120000	9	10
22372-160000	11	59
22417-200120	5	35
	15	44
22417-250160	5	62
		64
	13	21
		35
	14	42
		53
	15	10
		25
		34
22417-250200	4	14

Parts No.	Fig. No.	Ref. No.
22417-400320	10	6
		9
		14
		17
22550-050220	11	5
22551-070200	11	24
24101-060054	3	37
		55
	6	46
24101-062054	6	11
		29
24101-062074	6	17
24104-060044	3	50
		68
24104-062014	12	12
24104-062054	11	11
24104-063054	12	6
24104-063064	7	14
24311-000200	1	12
24421-254008	6	33
		45
24421-254708	3	39
		57
24421-355511	6	22
26013-080122	8	32
		45
26013-100252	2	26
	7	22
26013-100302	11	4
26013-120202	17	19
26013-120252	1	18
		26
	2	4
26013-120302	1	20
		28
		32
	3	3
	11	2
		27
26022-040102	15	54
26106-050162	14	63
26106-060122	2	18
	9	65
		68
		70
	12	41
	13	12
		28
		43
		49

## Parts No. Index

Parts No.	Fig. No.	Ref. No.	
26106-060122	14	5	
		14	
		17	
		28	
		60	
		15	4
		16	4
	16	17	
		17	10
	26106-060162	1	42
		2	20
		5	59
		9	43
		11	9
		15	46
		16	2
	26106-060202	5	3
12		25	
26106-060252	16	21	
	1	14	
26106-080122	16	5	
		28	
	2	48	
	5	21	
26106-080162	1	27	
		30	
		4	
		46	
		48	
		60	
		62	
	64		
	2	6	
		8	
	4	16	
		22	
		39	
		51	
		54	
		28	
		6	
12			
14			
16			
20			
22			
26			

Parts No.	Fig. No.	Ref. No.		
26106-080162	9	29		
		38		
		59		
		62		
		66		
		72		
		74		
		77		
		80		
		83		
		86		
		12	35	
		13	2	
		26106-080202	1	9
				22
				50
				3
2	12			
	27			
	32			
	36			
	3	6		
	4	8		
	5	31		
	4	4		
	11	22		
	11	17		
13	26			
26106-080252	2	6		
		9		
26106-080302	1	41		
		17		
26106-080702	2	3		
		35		
		39		
		19		
26106-080802	10	20		
		34		
26116-080162	9	50		
		19		
26116-080252	5	21		
		59		
26116-080554	11	21		
		59		
26116-100402	6	15		
		34		
26117-040162	16	15		
		34		
26117-060254	8	47		
		25		
26117-100162	6	25		

Parts No.	Fig. No.	Ref. No.				
26117-100654	6	38				
		26136-100202	3	63		
				19		
				21		
				35		
				54		
				67		
				22		
				3		
				26136-100252	4	21
						24
				9	11	2
						5
8						
48						
2						
5						
4						
3						
11	11					
10	40					
45						
26136-120452	4	35				
		10				
26207-100304	8	7				
		18				
26367-040002	16	10				
		64				
26367-050002	14	23				
		48				
26367-060002	9	56				
		57				
26367-080002	15	3				
		6				
		33				
		23				
		10				
		14				
		29				
		33				
		37				
		42				
		7				
26367-080002	2	2				
		14				
		29				
		33				
		37				
		42				
		7				
		2				
		10				
		14				
		29				
26367-080002	3	7				
		2				
		10				
		29				
		33				
		37				
		42				
		7				
		2				
		10				
		29				
26367-080002	5	40				
		42				
		33				
		9				
		33				
		51				
		84				

Parts No.	Fig. No.	Ref. No.
26367-080002	9	87
		90
		22
		33
		53
		19
		51
		30
		4
		5
		22
		25
		6
26377-100002	3	8
		50
		36
		32
		24
		38
		56
		67
		11
		19
		34
26377-120002	4	26
		40
		58
		35
		48
		15
		20
		34
		43
		10
		20
26557-030202	13	36
		32
		24
		38
		56
		67
		11
		8
		19
		34
		26
26607-140002	14	40
		58
		35
		48
		15
		20
		34
		43
		14
		15
		20
26707-100002	7	36
		37
		7
		47
		66
		26
		34
		42
		60
		75
		15
26717-030002	12	31
		31
		24
		23
		75
		15
		31
		24
		23
		23
		23

# Parts No. Index

Parts No.	Fig. No.	Ref. No.
7N3748-21001	13	48
7N3763-11000	4	1
7N3764-84000	9	15
7N3764-85000	9	19

Parts No.	Fig. No.	Ref. No.
-----------	----------	----------

Parts No.	Fig. No.	Ref. No.
-----------	----------	----------

Parts No.	Fig. No.	Ref. No.
-----------	----------	----------